

savic-net **FX**

SMS (System Management Server)

Model BCY45100X

General

SMS (System Management Server) is a Web-based server for *savic-net*TM FX BMS (building management system). SMS provides all the management information (object, program, etc.) of BMS. Management information can be displayed, set (modified), and operated with a client PC via Web browser.

SMS also keeps track of alarm reported, operating/ setting information, and operating status change. SMS, in other words, saves the historical data into its hard disk.

In addition, SMS manages the screens to show in the client PC display. Monitoring screens, operating screens, and other Graphic Displays are managed by SMS.

SMS Model BCY45100L000X conforms to all the applicable standards of CE Marking (Class A).



Specifications

Item	Specification
CPU	32-bit CPU
Main storage capacity	256MB SDRAM
Auxiliary memory unit hard disk (HDD)	2.5 inch, 40 GB
OS	Linux
Max. BACnet objects	30,000 objects
Communication	BACnet [®] IP (Ethernet: 10BASE-T/ 100BASE-TX), 1 channel
Time backup	72 hours
Allowable voltage range	100 V AC type: 90 V AC to 110 V AC 200 V AC type: 180 V AC to 264 V AC
Allowable ambient condition	5 °C 40 °C (in operation) 10 %RH to 85 %RH (non-condensing)
Dimensions (mm)	150 (W) × 122 (D) × 140 (H)
Weight	1.4 kg
Grounding condition	100 Ω or lower ground resistance

Model Numbers

Model number		Description
BCY45100		SMS base model number
	K	100 V AC power
	L	200 V AC to 240 V AC power * CE Marking (Class A) certified
		1 English version
		2 Chinese simplified version
		3 Chinese traditional version
		4 Korean version
	0 0	Fixed
		0 DIN rail mount type
		1 Sub panel mount type



Dimensions

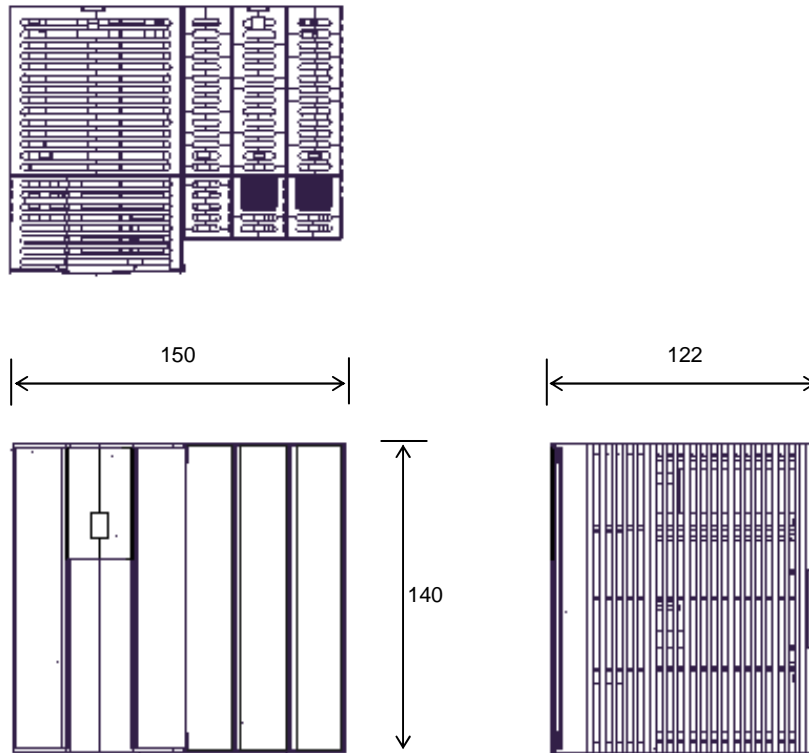


Figure 1. Dimensions of SMS (mm)

Safety Instructions

Please read instructions carefully and use the product as specified in this manual. Be sure to keep this manual near by for ready reference.

Usage Restrictions

This product is targeted for general air conditioning. Do not use this product in a situation where human life may be affected. If this product is used in a clean room or a place where reliability or control accuracy is particularly required, please contact Yamatake's sales representative. Yamatake Corporation will not bear any responsibility for the results produced by the operators.

⚠ CAUTION

- Installation must be performed by qualified personnel in accordance with all applicable safety standards.
- This product must be operated within its operating ranges specified in this manual. Failure to comply will cause equipment damages.
- Installation must be carried out according to the operating conditions specified in this manual to prevent equipment damages.

Trademark information:

Infilex, Neopanel, PARAMATRIX, and savic-net are trademarks or registered trademarks of Yamatake Corporation in Japan or in other countries.

BACnet is a registered trademark of American Society of Heating, Refrigerating and Air-Conditioning Engineers (ASHRAE).

Ethernet is a U.S. registered trademark of Xerox Corporation.

Linux is a trademark of Linus Torvalds.

LonTalk is a trademark of Echelon Corporation registered in the United States and other countries.

System Configurations

savic-net FX BMS configuration

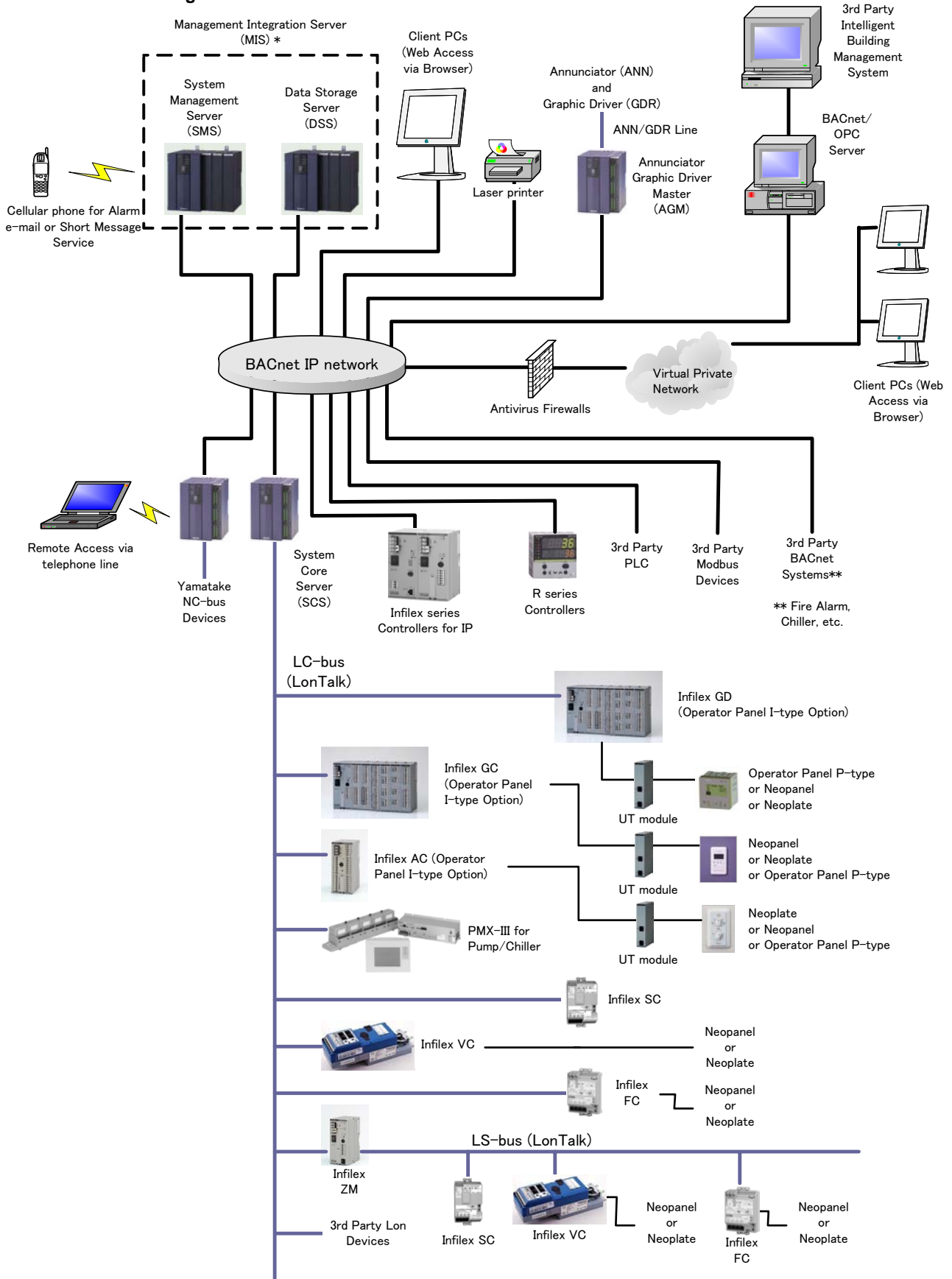


Figure 2. savic-net FX BMS configuration example

Items shown in Fig. 2 indicate the devices and protocols configuring the system. See Table 1 for the descriptions.

Table 1. Devices and protocols configuring *savic-net FX* system

Item	Description
AGM	Yamatake's Annunciator/Graphic Driver Master
ANN	Annunciator
BACnet®	Data communication protocol for Building Automation and Control Networks (developed by ASHRAE)
DSS	Yamatake's Data Storage Server
GDR	Graphic Driver
Infilex™ AC	Yamatake's AHU (air handling unit) controller for LonTalk® protocol
Infilex™ FC	Yamatake's FCU (fan coil unit) controller for LonTalk® protocol
Infilex™ GC	Yamatake's multipurpose controller for LonTalk® protocol
Infilex™ GD	Yamatake's multipurpose data gathering panel for LonTalk® protocol
Infilex™ SC	Yamatake's AHU (air handling unit) controller for LonTalk® protocol
Infilex™ VC	Yamatake's VAV (variable air volume) controller with damper actuator for LonTalk® protocol
Infilex™ ZM	Yamatake's zone manager for LonTalk® protocol
IP	Internet Protocol
LC-bus	LonTalk® protocol Controller bus (provided by Yamatake)
LonTalk®	Communication protocol for LONWORKS network
LS-bus	LonTalk® protocol Sub-controller bus (provided by Yamatake)
MIS	Yamatake's Management Integration Server
Modbus	Serial communication protocol for PLC (developed by Modicon)
Neopanel™	Yamatake's digital user terminal
Neoplate	Yamatake's analog user terminal
Operator Panel (I-type)	Yamatake's Integral type Operator Panel
Operator Panel (P-type)	Yamatake's Panel-mount type Operator Panel
PLC	Programmable Logic Controller
PMX-III	Yamatake's PARAMATRIX™ -III DDC controller for LonTalk® protocol
R series controllers	Yamatake's single loop controllers
SCS	Yamatake's System Core Server
SMS	Yamatake's System Management Server
UT module	Yamatake's user terminal interface



Specifications are subject to change without notice.

Yamatake Corporation
Building Systems Company

<http://www.yamatake.com>