

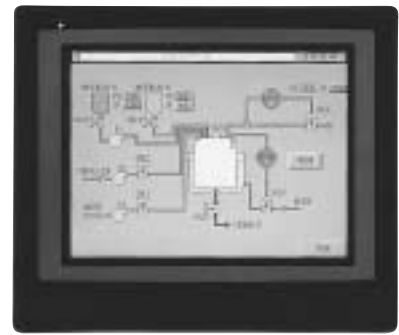


EST555Z

Large-Size Smart Terminal

The EST555Z Smart Terminal is a large-size, next-generation programmable touch screen capable of multi-channel communications. It includes a slot for a flash memory card. TFT technology has been adopted into its design to offer high resolution. The 256-color display enables bitmap images to be clearly viewed.

Applications can easily be run or modified using the AP Editor program (for Windows 98/Me/2000/XP). Applications can be quickly customized by selecting and pasting new smart objects (pictures and operation settings) from the object library using the AP Editor on a personal computer.



Specifications

Display element	TFT color LCD
Display color	256 colors (bitmap display) / 64 colors (object display)
Resolution	640 x 480
Memory capacity	2MB
Number of screens	999 (maximum number depends on the applications)
Panel display	Up to 8 panels simultaneously
Touch switch	Transparent resistive membrane type (analog)
DC output interface	2 output points
Communications port	Infrared (IrDA), RS-232C x 1ch, RS-485 (full/half-duplex) x 1ch, RS-485 (half-duplex) 2ch
Power	85 to 132Vac 50/60Hz, 24Vdc ± 10%
Power consumption	AC power source: 50VA max. DC power source: 2A max.
Mass	2.7kg

Selection Guide

Model No.	Description		
	Case color	Power supply	Memory card
EST0555Z01BEX00	Black	100Vac	No
EST0555Z01WEX00	White		
EST0555Z01BES00	Black		Yes
EST0555Z01WES00	White	24Vdc	No
EST0555Z05BEX00	Black		
EST0555Z05WEX00	White		
EST0555Z05BES00	Black		Yes
EST0555Z05WES00	White		No
EST0555Z05BEX0M (CE marking)*	Black		
EST0555Z05BES0M (CE marking)*		Yes	

AP Editor (Application creation software)

Model No.	Description
ESTX240SWWJC000	CD-ROM for Windows95/98/Me
ESTX220D5AJ3001	3.5-inch diskette for DMC10 package EST555Z
SCFADP000	Adapter for PC card change (for PCMCIA)

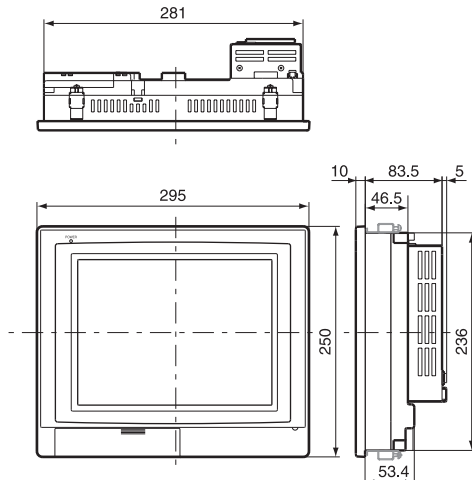
Accessories (sold separately)

Model No.	Description
CBL232FFT02	RS-232C cable (2m) 9-9 pin
81446345-001	Battery
SCF0640	Memory card, 64MB

Dimensions

(Unit: mm)

• EST555Z



• Panel cutout

