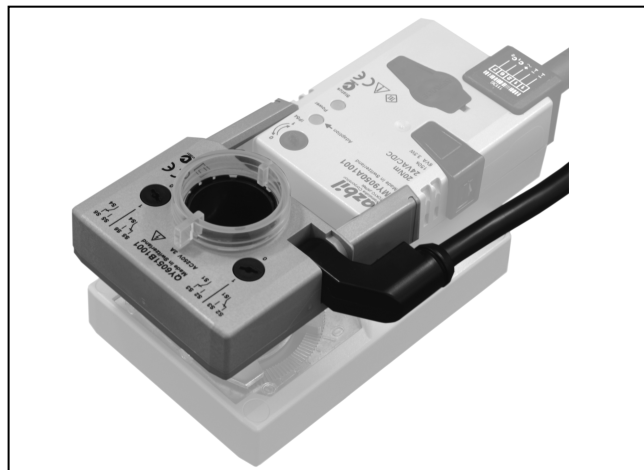


## Auxiliary Switch

### Model QY6051A/QY6051B

#### General

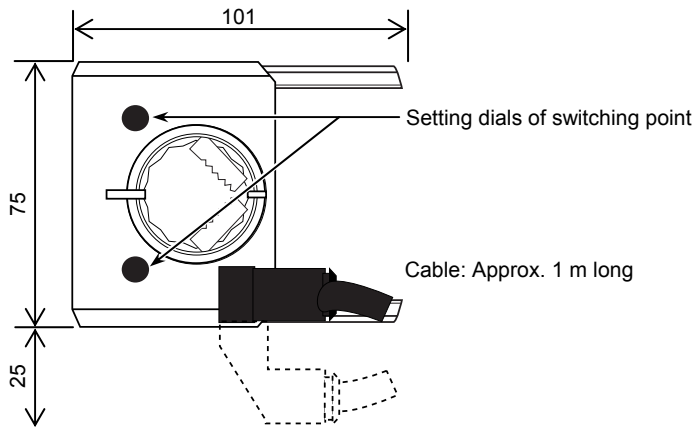
Model QY6051A/QY6051B is an auxiliary switch with 1 or 2 SPDT . Combined with Model MY6050A/MY9050A direct coupled damper actuator, Model QY6051 outputs damper position signal, or sets maximum/minimum damper position.



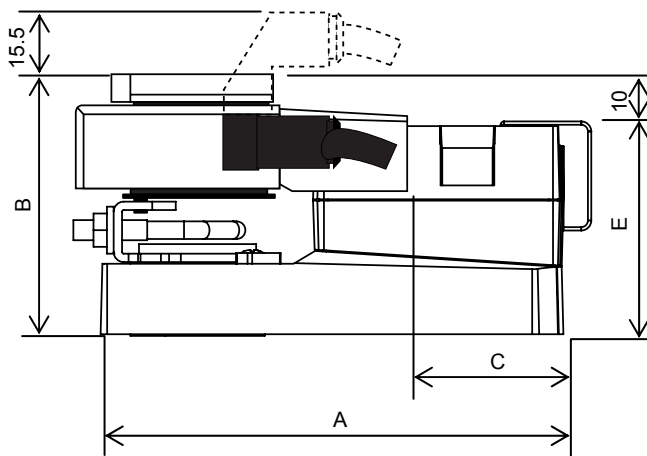
#### Specifications

Item	Specification
Model number	QY6051A1001 / QY6051B1001
Number of switches	Model QY6051A1001: 1 (SPDT contact) / Model QY6051B1001: 2 (SPDT contacts)
Contact capacity	3 A, 250 V AC
Switching point (switch actuating position)	- Adjustable at any position of the full range of damper actuator rotation. - Can be preset by means of the scale (by visually checking the switching point).
Ambient operating conditions	- 20 °C to 50 °C, 95 %RH or less (non-condensing)
Transport/storage conditions	- 20 °C to 60 °C, 95 %RH or less (non-condensing)
Enclosure rating	Dust-proof and splash-proof equivalent to IEC IP54
Cable	0.75 mm <sup>2</sup> × 3-cores, 1 m long
Material / Color	PC / Silver gray
Weight	Model QY6051A1001: Approx. 130 g / Model QY6051B1001: Approx. 170 g

**Dimensions**



\* Note:  
Cable conduit can be rotated 90°. The conduit rotated 90° upward is 25 mm high.



Dimensions assembled with: Damper actuator  
Model MY6050A1001/MY9050A1001

Assembled with	A	B	C	E
Model MY6050A1001	189	79.5	51	62
Model MY9050A1001				

Unit: mm

Figure 1. Dimensions (mm)

**Safety Instructions**

Please read instructions carefully and use the product as specified in this manual. Be sure to keep this manual near by for ready reference.

**Usage Restrictions**

This product is targeted for general air conditioning. Do not use this product in a situation where human life may be affected. If this product is used in a clean room or a place where reliability or control accuracy is particularly required, please contact Azbil Corporation's sales representative. Azbil Corporation will not bear any responsibility for the results produced by the operators.

**⚠ CAUTION**

- !** Installation and wiring must be performed by qualified personnel in accordance with all applicable safety standards.
- !** This product must be operated under the operating conditions (power, temperature, humidity, vibration, shock, installation position, atmospheric condition, etc) specified in this manual to prevent equipment damages.
- !** This product must be operated within its rated operating ranges specified in this manual. Failure to comply will cause equipment damages.

**Installation**

- 1) Lift and detach the position indicator ring from the damper actuator.
- 2) Engage the pins of the auxiliary potentiometer to the grooves of the damper actuator.
- 3) Push the auxiliary potentiometer down to the damper actuator.
- 4) Press the tabs provided on the bilateral sides of the auxiliary potentiometer until they click.
- 5) Confirm that the auxiliary potentiometer is completely fixed onto the damper actuator.

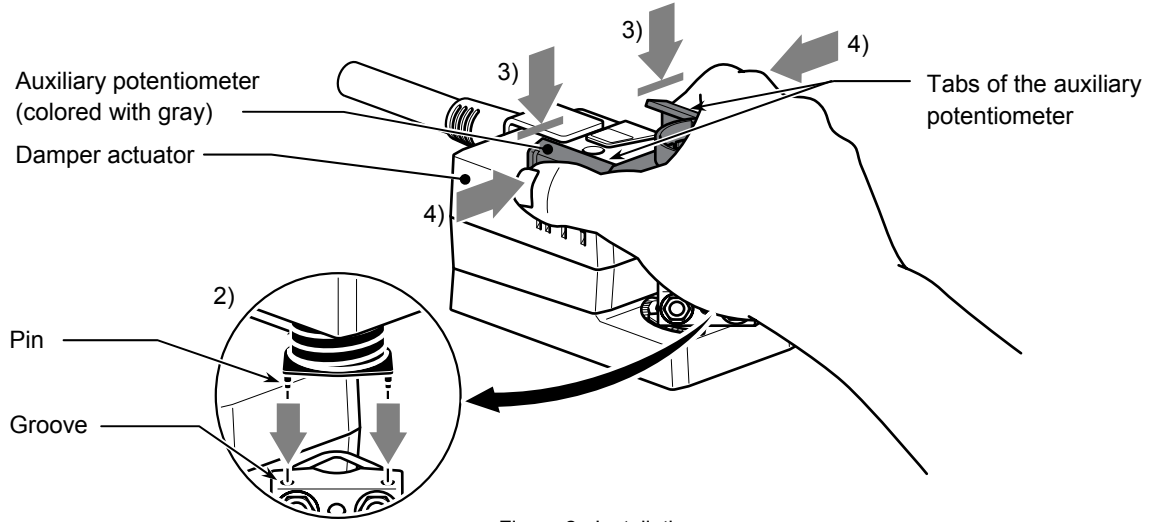


Figure 2. Installation

**Removal**

Carefully remove the potentiometer so that the actuator body does not get damaged.

- 1) Using a tool such as a slotted screw driver, pry and detach the tabs of the auxiliary potentiometer, as shown in the Fig. 3.

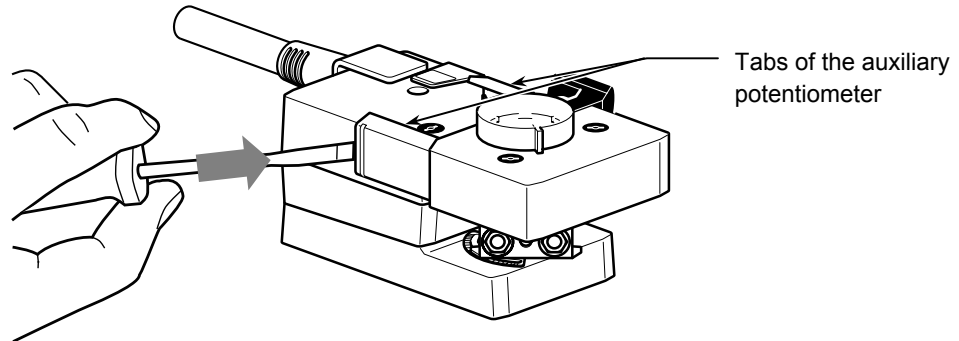


Figure 3. Detaching the tabs

- 2) Lift up and remove the auxiliary potentiometer.

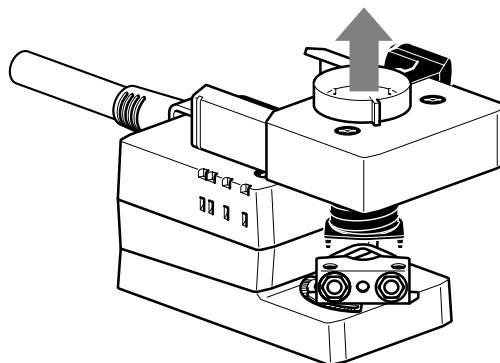


Figure 4. Removing the auxiliary potentiometer

**Wires Connection**  
**Model QY6051A1001**

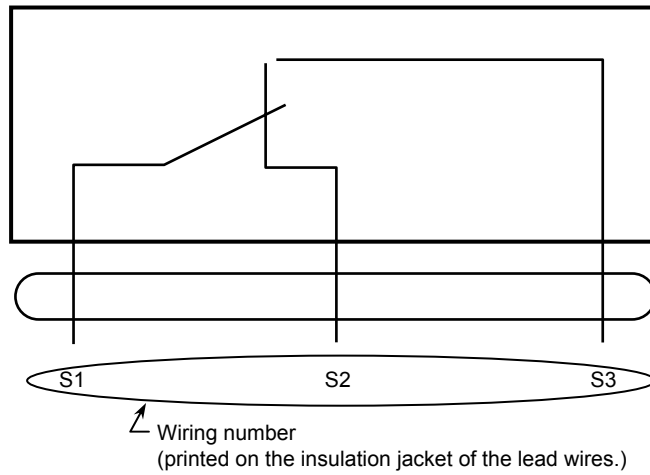


Figure 5. Wires connection of Model QY6051A1001

**Model QY6051B1001**

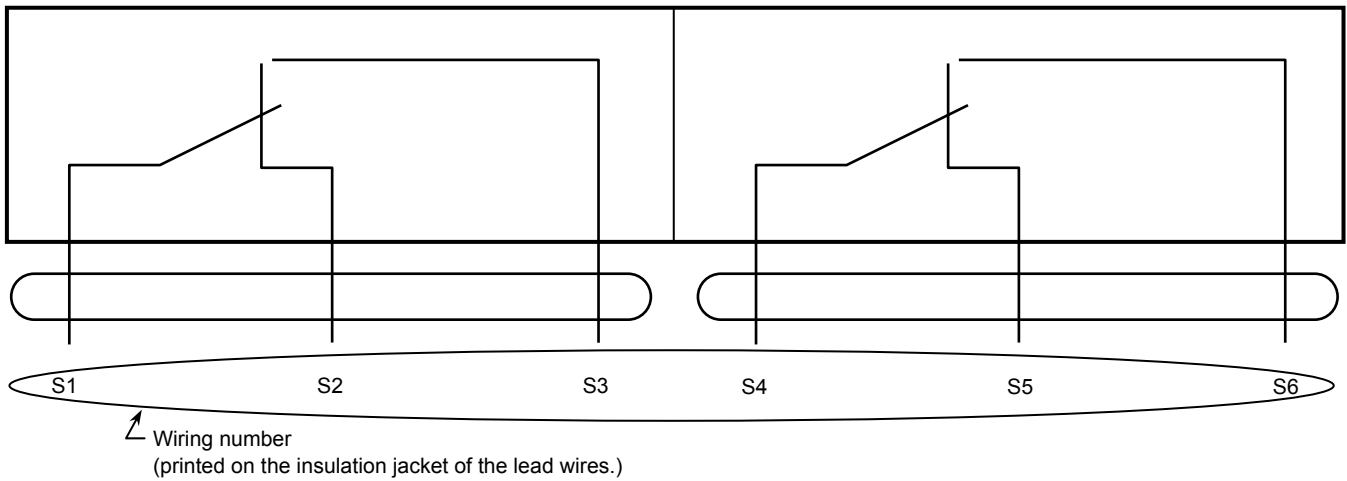


Figure 6. Wires connection of Model QY6051B1001



*Specifications are subject to change without notice.*

**Azbil Corporation**  
**Building Systems Company**

<http://www.azbil.com/>