

Cable Gland with Three Ports

Model DY7000A1000

General

Cable gland with three ports (often referred to as 'cable gland') is connected to a port of a device to daisy-chain the line.

Cable gland is applicable for small power. (Small power: 60 V or lower input voltage)

Specifications

Item	Specification	
Model number	DY7000A1000	
Environmental conditions	Ambient temperature	-30 °C to 70 °C
	Ambient humidity	0 %RH to 100 %RH
Material	Cover and base: Polycarbonate resin GF20 (20 % glass-filled) Plug for non-used port: Nylon66	
Weight	Approx. 66 g	

Optional Parts: Seal Connector

To prevent water from flowing into a device through the cable gland, waterproof the ports with seal connectors. The following seal connectors in combination with the cable gland are recommended.

Part number	Applicable wire size	Usage example
83104346-012	φ6 mm to φ8 mm	KPEV [®] (for small power) 0.75 mm ² × 1 pair cable
83104346-013	φ7 mm to φ9 mm	JIS CVV, JCS CVV-S, JIS VCT 0.75 mm ² × 2-core cable
83104346-014	φ9 mm to φ11 mm	JIS CVV, JIS VCT 0.75 mm ² × 3-core cable JIS CVV, JIS VCT 1.25 mm ² × 2-core/3-core/4-core cable JCS CVV-S 1.25 mm ² × 2-core cable JIS CVV, JIS VCT 2.0 mm ² × 2-core/3-core cable
83104346-015	φ11 mm to φ13 mm	JIS CVV 1.25 mm ² × 6-core cable JCS CVV-S 1.25 mm ² × 4-core/6-core cable KPEV [®] -S 0.9 mm ² × 2-pair cable

Notes:

- * KPEV is a wire standard provided by Furukawa Electric Co., Ltd. in Japan.
- * JIS: Japanese Industrial Standards
- * JCS: Japanese Electric Wire & Cable Maker's Association




Safety Instructions

Please read instructions carefully and use the product as specified in this manual. Be sure to keep this manual near by for ready reference.

Usage Restrictions

This product is targeted for general air conditioning. Do not use this product in a situation where human life may be affected. If this product is used in a clean room or a place where reliability or control accuracy is particularly required, please contact Azbil Corporation's sales representative. Azbil Corporation will not bear any responsibility for the results produced by the operators.

⚠ CAUTION

-  • Installation and wiring must be performed by qualified personnel in accordance with all applicable safety standards.
-  • All wiring must comply with local codes of indoor wiring and electric installation rules.
-  • Dispose of this product as an industrial waste in accordance with your local regulations. Do not reuse all or part of this product.

Dimensions

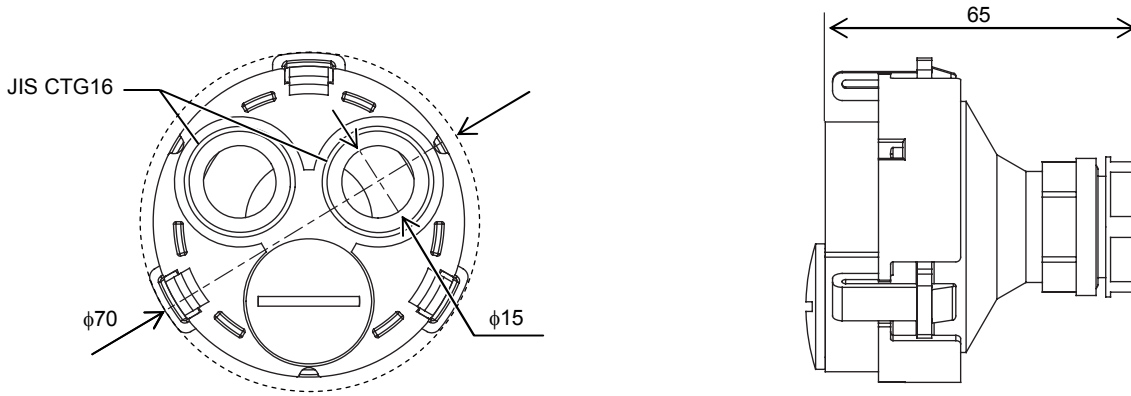


Figure 1. Dimensions (mm)

Parts Identification

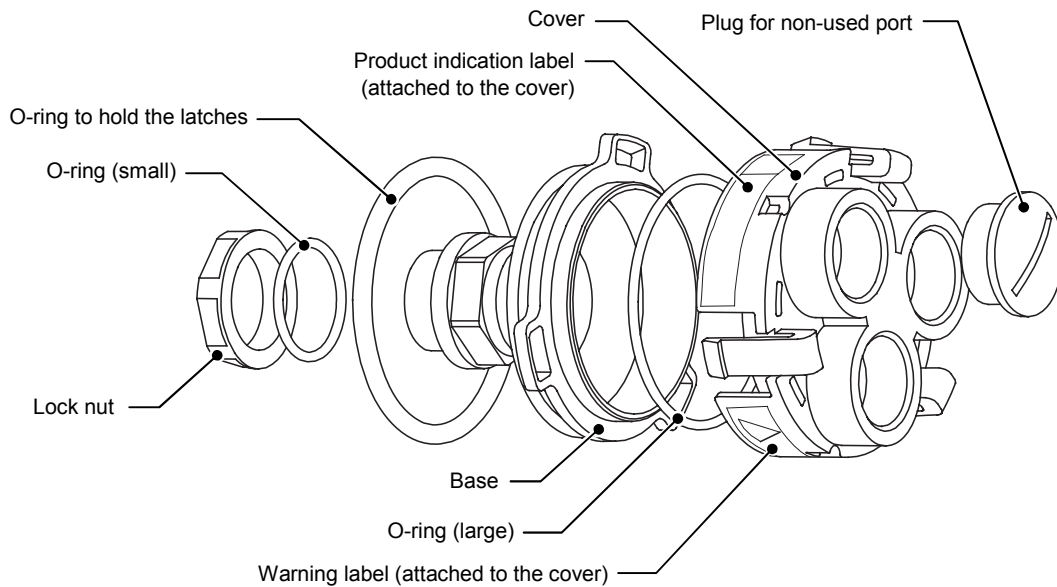


Figure 2. Parts identification

IMPORTANT:

Connect the cables through the cable gland so that the cable gland is not forcefully pulled. Also, do not put any load on the cable gland. Cable gland may get damaged, otherwise.

Trademark information:

KPEV is a registered trademark of Furukawa Electric Co., Ltd. in Japan.



Specifications are subject to change without notice.

Azbil Corporation
Building Systems Company

<http://www.azbil.com/>