

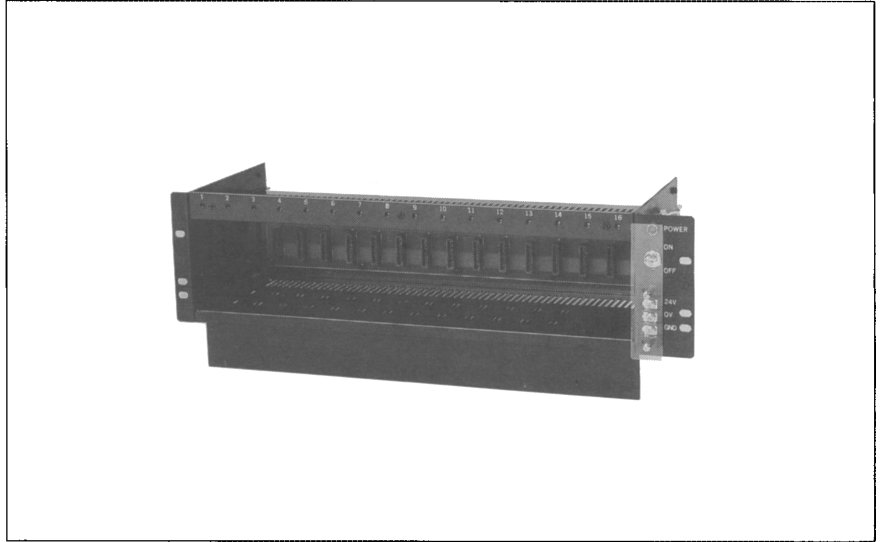
SystempaK Rack Mounting Type File (Front Face Mounting) Model J-SFR10

Introduction

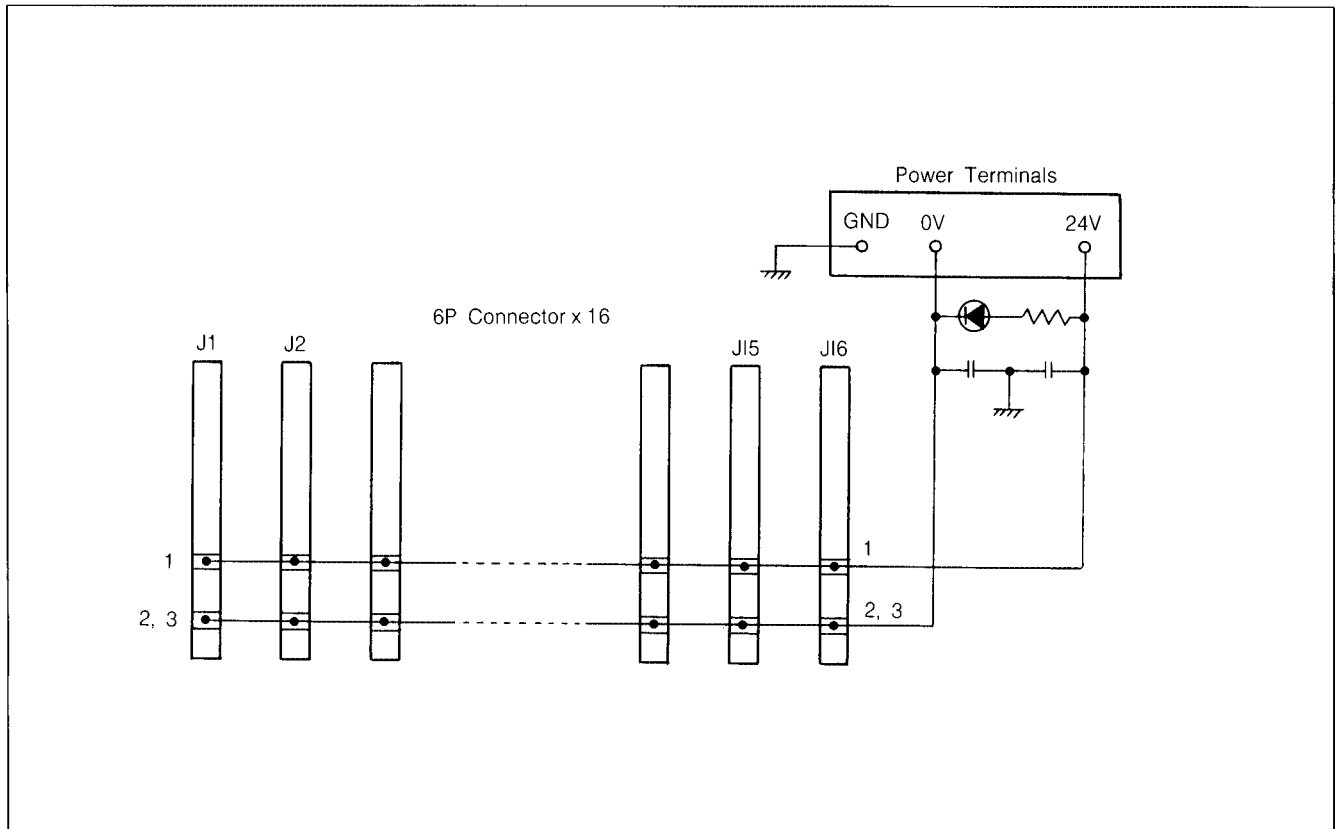
The Rack Mounting Type File has 16 nests for accommodating modules, a backplane, and a power switch (complete with a LED which lights up when the power is turned on). The File is mounted on a 19" rack. The module types and locations (slots) in the file are determined as required.

The power is supplied to terminals on the upper right through the connector of the mother board on the backplane.

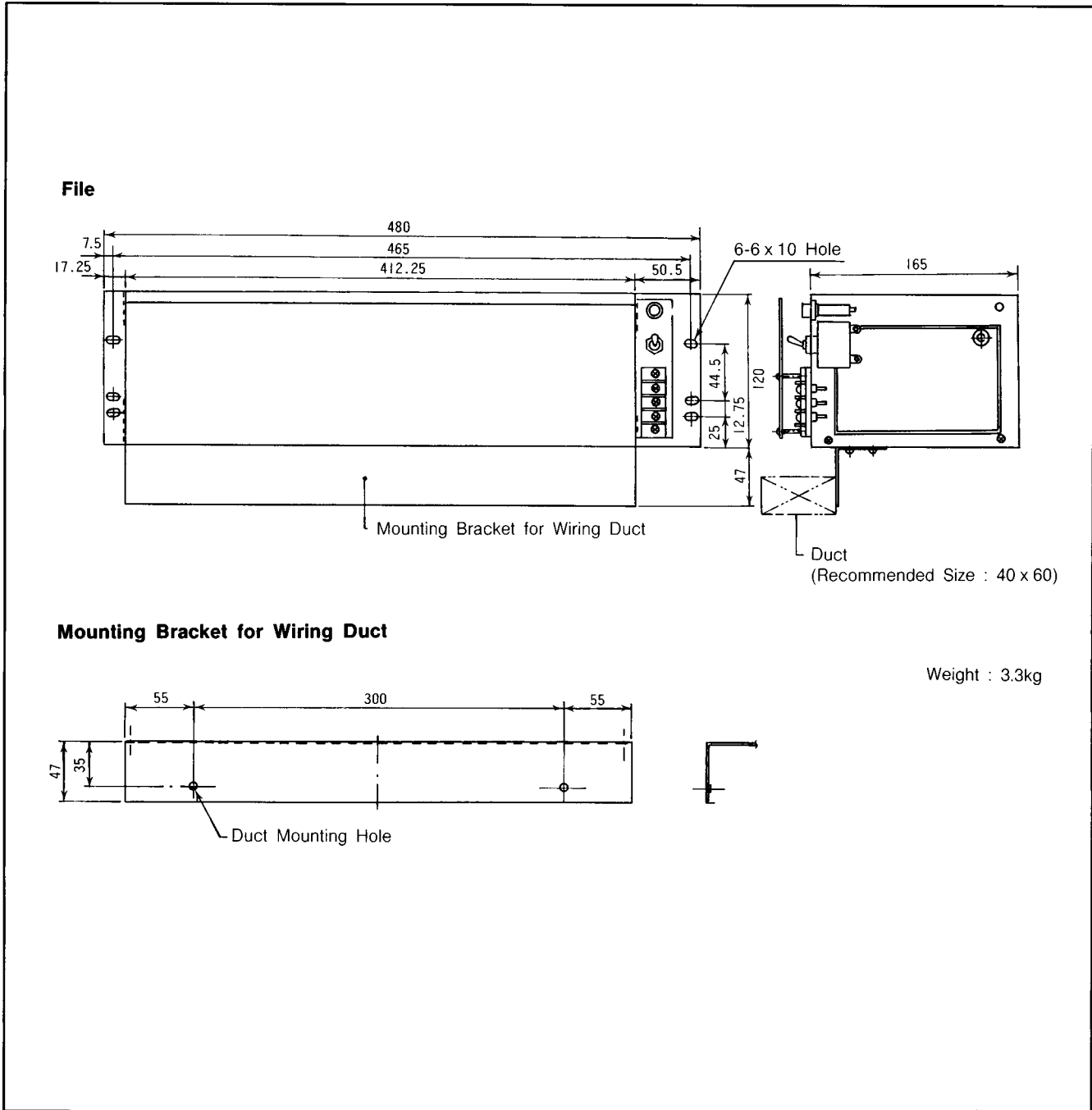
The File is provided with a mounting bracket for the wiring duct.



File Configuration Diagram



Dimensions



Specifications are subject to change without notice.

Yamatake Corporation

Totate International Building
2-12-19 Shibuya
Shibuya-ku Tokyo 150-8316
Tel : 81-3-3486-2270
Fax : 81-3-3486-2593

Yamatake-SIC Control Systems Co., Ltd.
Shanghai Yamatake Jinshan Control Instruments Co., Ltd.
Yamatake Korea Co., Ltd.
Yamatake (Thailand) Co., Ltd.
Yamatake Philippines, Inc.
PT. Yamatake Berca Indonesia
Yamatake Controls Singapore Pte. Ltd.
YCV Corporation

: China 86-10-6326-9844/55
: China 86-21-5793-5334
: Korea 82-2-785-0280-2
: Thailand 66-2-210-0900-7
: Philippines 63-2-817-6452
: Indonesia 62-21-230-5538/5539
: Singapore 65-778-5966
: U.S.A. 1-602-548-1800

YAMATAKE

Savemation

Saving through Automation

Yamatake Industrial Systems Co.,Ltd.

<http://www.yamatake.co.jp/>

9908-Y/Y

This has been printed on recycled paper.