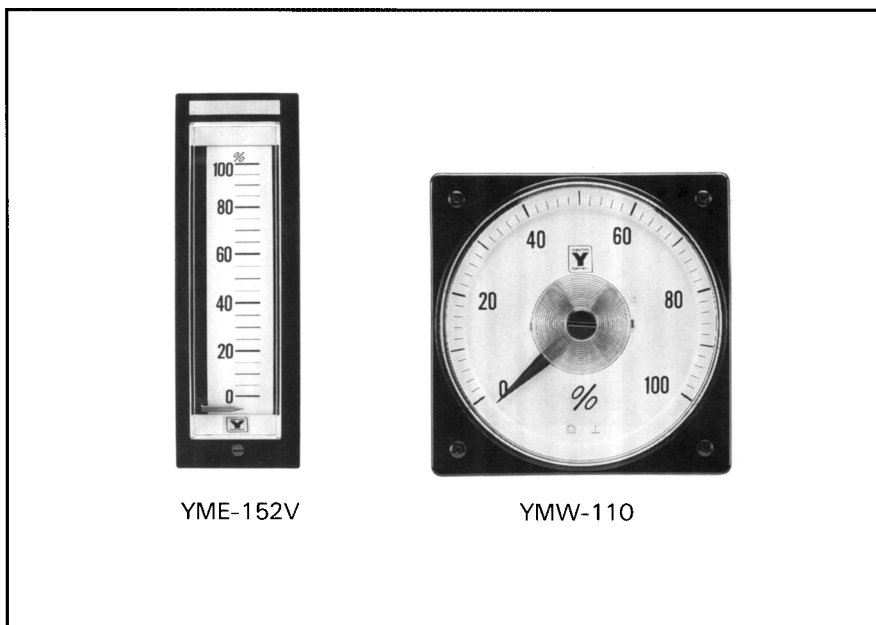


Moving-Coil Type Current or Voltage Signal Indicator Model YME-152, YMW-110/080

Introduction

Moving-coil Type Indicators (YME/ YMW) are a current or voltage signal indicator, which accept an analog (4 to 20mA DC or 1 to 5V DC) signal and indicates it on a vertical or horizontal (YME), or wide-angle scale (YMW).

For intrinsic safety application, they also are available with intrinsic safety feature (i2G4) in combination with a zener barrier.



Specifications

Item		Model number	Current signal indicator			Voltage signal indicator		
		YME-152	YMW-110	YMW-080	YME-152	YMW-110	YMW-080	
Indicating section	Indicating type	Vertical or horizontal	Wide-angle(250°)			Vertical or horizontal	Wide-angle(250°)	
	Input	4~20mADC				1~5VDC		
	Input impedance	10Ω or less				1MΩ or more		
	Scale length	100mm	197mm	132mm	100mm	197mm	132mm	
	Scale range	0 to 100% even or 0 to 10√ (square root)						
	Scale character (numeric)	Maximum 3 digits (excluding decimal point), and for those exceeding three digits, uses a factor.						
	Accuracy	±1.5%FS		±2.5%FS		±1.5%FS		±2.5%FS
Characteristic	Complies with JIS C1102 Indicating Electric Instrument.							
Common section	Power supply	--			DC24V ^{+15%} _{-10%}			
	Power consumption	--			0.75W			
	Ambient temperature	0~50°C						
	Ambient humidity	10 to 90%RH (w/o condensation)						
	Mounting	Panel-mount(Close-contact available. YME-152V: Side-to-side close-contact mount possible, YME-152H: Bottom-on-top close-contact possible.)						
	Weight	1.2kg	0.7kg	0.2kg	1.3kg	0.8kg	0.2kg	
	Paint	(1)Dark beige (2)Black (3)Jade green						
Dimensions	Refer to Dimensions Drawing.							

Note) In case of YMW-080, power unit (0.2kg) is separately mounted.

Model Number Table

Ex. YME-152V-4XX1

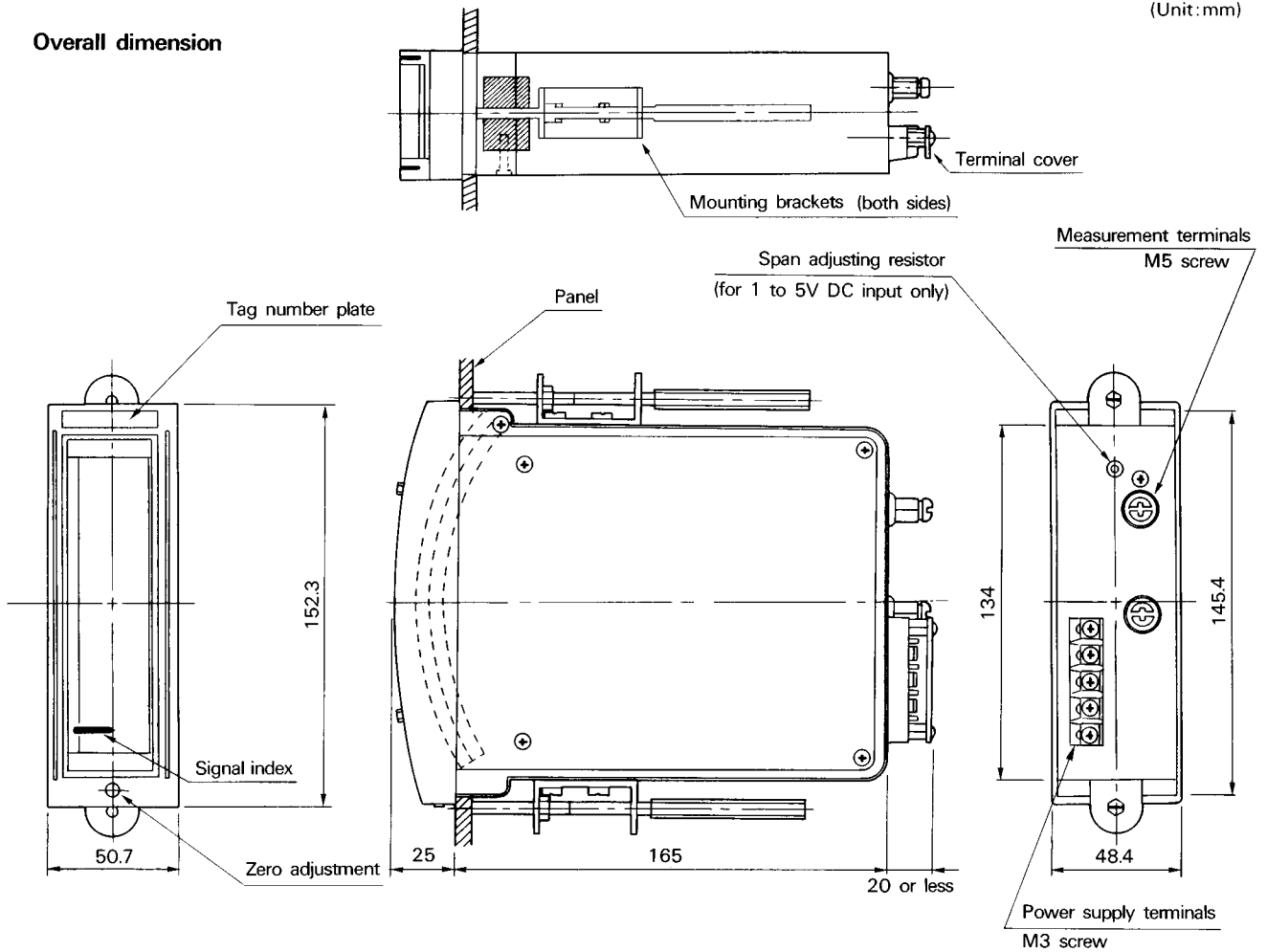
Basic model number	Selections				Description
	Input	Power supply	Alarm	Paint	
YME-152V					Vertical indicator
YME-152H					Horizontal indicator (Semi-standard)
YMW-110					110mm wide-angle indicator
YMW-080					80mm wide-angle indicator (Semi-standard)
	-1				1 to 5V DC (Semi-standard)
	-4				4 to 20mA DC
	-9				Special input (Refer to Table 1.)
		X			W/o power supply (In case of 4 to 20mA DC input)
			3		24V DC (In case of 1 to 5V DC input)
				X	W/o alarm function
				1	Dark beige (Munsell 10YR4.7/0.5)
				2	Black (Munsell N1.2) (Semi-standard)
				3	Jade green (Munsell 7.5BG4/1.5) (Semi-standard)

Table 1. Special input range (For those other than this, consult us.)

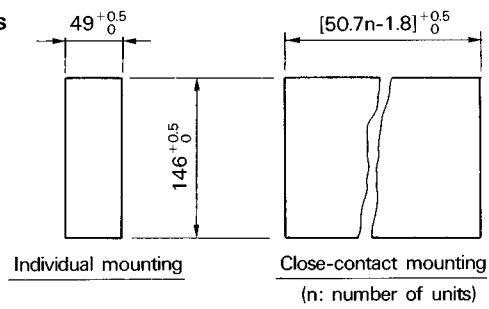
Model number	Current signal Indicator		Voltage signal indicator	
	DC	AC	DC	AC
YME-152	500 μ A~10A	1mA~300mA, 1A, 5A	1V~300V	10V~300V
YMW-110	500 μ A~10A	1mA~300mA, 1A, 5A	3V~300V	10V~300V
YMW-080	500 μ A~10A	1mA~300mA, 1A, 5A	3V~300V	10V~300V

(Unit:mm)

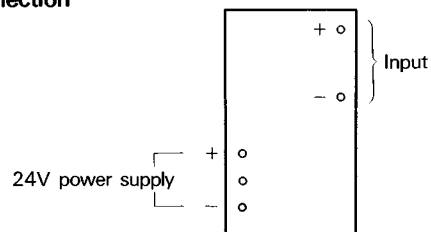
Overall dimension



Panel cutout dimensions



Terminal connection

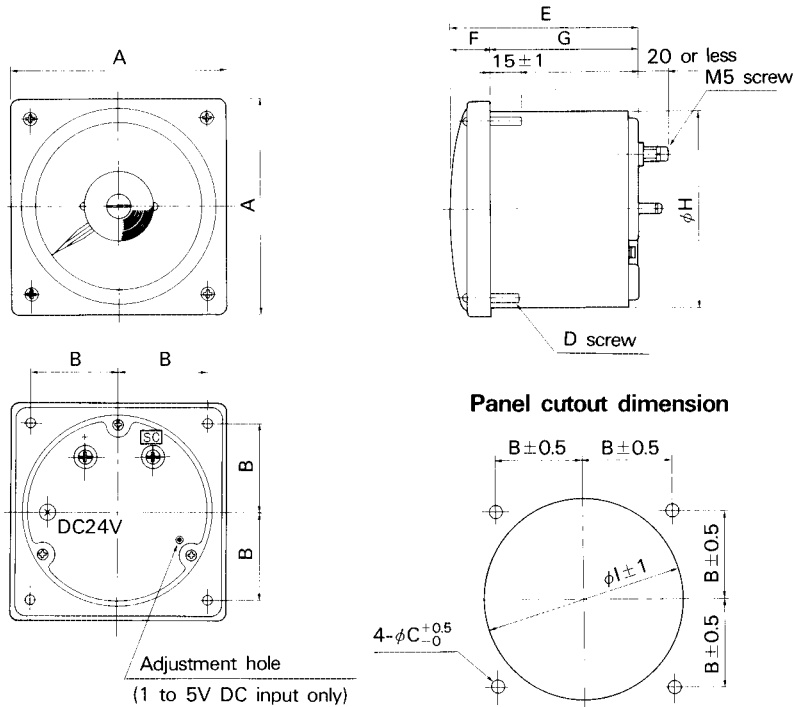


Note) In case of 4 to 20mA DC input, power terminals are not provided.

Figure 1. Dimensions and terminal connection drawing of YME

(Unit:mm)

Overall dimension



Dimensions(mm)

Model number	A	B	C	D	E	F	G	H	I
YMW-110	110	45	6	M5	96	21	75	100	103
YMW-080	80	32	4	M3	62	16	46	65	67

Note) In case of 4 to 20mA DC input, power terminals are not provided.

Terminal connection

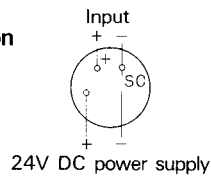
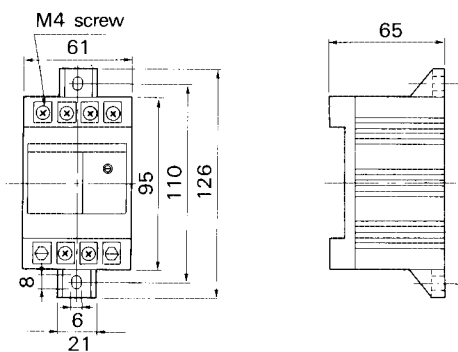


Figure 2. Dimension and terminal connection drawings of YMW

Overall dimension



Terminal connection

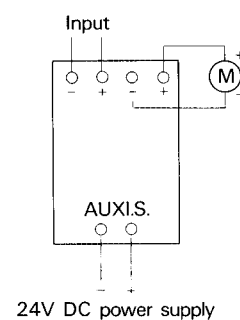


Figure 3. Power supply unit (for 1 to 5V DC input, YMW-080)

Specifications are subject to change without notice.

YAMATAKE

Yamatake Corporation

Totate International Building
 2-12-19 Shibuya
 Shibuya-ku Tokyo 150-8316
 Tel : 81-3-3486-2270
 Fax : 81-3-3486-2593

Yamatake-SIC Control Systems Co., Ltd.
 Shanghai Yamatake Jinshan Control Instruments Co., Ltd.
 Yamatake Korea Co., Ltd.
 Yamatake (Thailand) Co., Ltd.
 Yamatake Philippines, Inc.
 PT. Yamatake Berca Indonesia
 Yamatake Controls Singapore Pte. Ltd.
 YCV Corporation

: China 86-10-6326-9844/55
 : China 86-21-5793-5334
 : Korea 82-2-785-0280-2
 : Thailand 66-2-210-0900-7
 : Philippines 63-2-817-6452
 : Indonesia 62-21-230-5538/5539
 : Singapore 65-778-5966
 : U.S.A. 1-602-548-1800

Savemation

Saving through Automation

Yamatake Industrial Systems Co.,Ltd.

<http://www.yamatake.co.jp/>

This has been printed on recycled paper.

9908-Y/Y