

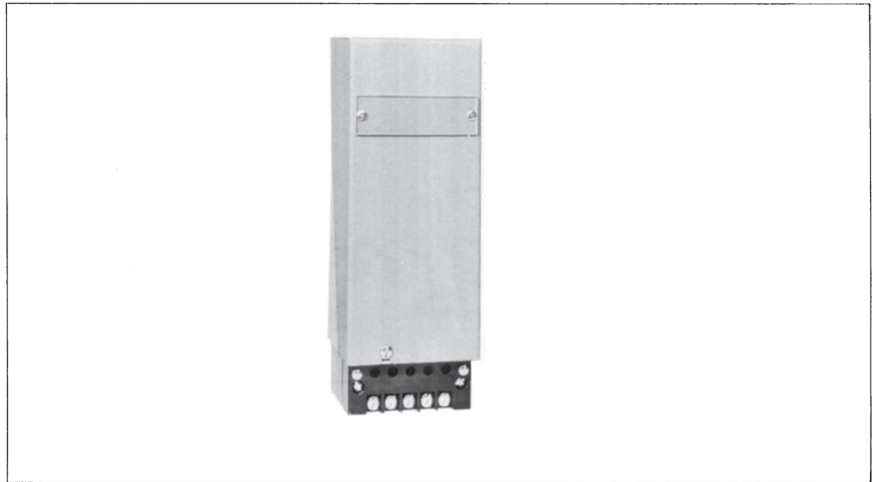
# SystempaK

## Single-I/P Converter

### Model KUX112

#### Introduction

Single-I/P Converter (Model KUX112) is an extremely compact instrument which converts an electrical current signal into a pneumatic pressure signal. The KUX112 is of a 2-wire type.



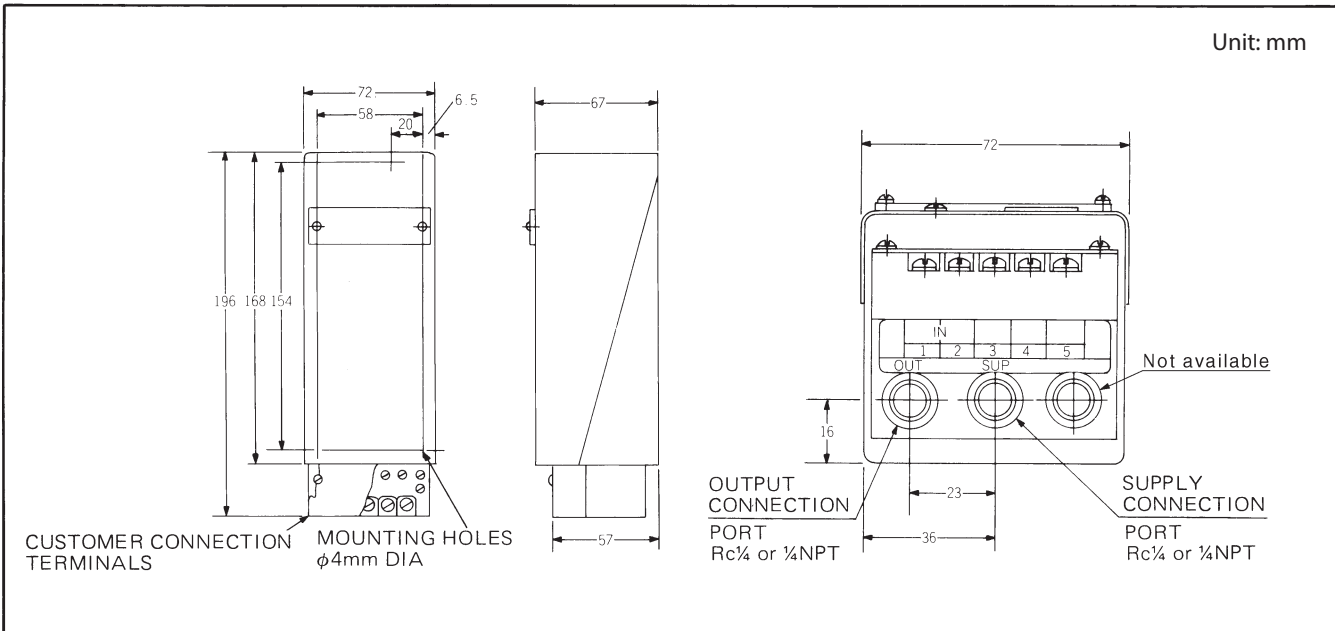
#### Standard Specifications

Item	Specifications
<b>Input Signal</b>	4~20mA DC
<b>Input Resistance</b>	300 ohms MAX.
<b>Output Signal</b>	0.2~1.0kgf/cm <sup>2</sup> {20~98kPa}, 3~15psi, 0.2~1.0bar, 20~100kPa (Rated pressure: 2kgf/cm <sup>2</sup> {200kPa})
<b>Air Supply</b>	1.4kgf/cm <sup>2</sup> {140kPa} +30% -10%
<b>Air Consumption</b>	4Nℓ/minute MAX.
<b>Max. Pneumatic Delivery</b>	20Nℓ/minute
<b>Max. Pneumatic Exhaust</b>	20Nℓ/minute
<b>Minimum Load Capacity</b>	ID 4mm copper pipe×3m+20cm <sup>3</sup>
<b>Electrical</b>	With binding screws (M3×6mm)
<b>Air Connection</b>	Rc $\frac{1}{4}$ , $\frac{1}{4}$ NPT, internal thread
<b>Ambient Temperature</b>	0 to 50°C
<b>Ambient Humidity</b>	10 to 90% RH
<b>Accuracy</b>	±0.25% FS
<b>Hysteresis Error</b>	0.15% FS
<b>Dead Band</b>	Within 0.05% FS
<b>Temperature Characteristics</b>	Zero shift: ±1% FS/25°C MAX. Span shift: ±1% FS/25°C MAX.
<b>Structure</b>	Indoor installation type
<b>Mounting</b>	Wall mount
<b>Weights</b>	Approx. 1.6kg

## Model Number Table

Basic Model No.	Selections						Options	Description
	Power Supply	Input	Output	Connection	Mounting	Environment		
KUX112								Single-I/P Converter
	-X							None
		1						4~20mA DC
			1					0.2~1.0kgf/cm <sup>2</sup> {20~98kPa}
			2					3~15psi
			3					0.2~1.0bar
			4					20~100kPa
				A				Rc¼
				B				¼ NPT, internal thread
					S			Wall mount, indoor installation
						X		Standard
						A		For tropical service (Upon special order)
						B		Corrosive atmosphere (Upon special order)
							-X	No options

## Dimension Drawing



Please read "Terms and Conditions" from the following URL before ordering and use.

<https://www.azbil.com/products/factory/order.html>

Specifications are subject to change without notice.

**azbil**

**Azbil Corporation**  
Advanced Automation Company

1-12-2 Kawana, Fujisawa  
Kanagawa 251-8522 Japan  
URL: <https://www.azbil.com/>

6th edition: Jan.2019

No part of this publication may be reproduced or duplicated without the prior written permission of Azbil Corporation.