

Field Communication Software

Model CFS100 [Ver. 3.3]

Overview

Field Communication Software Model CFS100 allows the user to configure and adjust smart field devices using a PC.

In addition to supporting Azbil Corporation's proprietary SFN communication protocol for smart field devices, with a change of the communication interface Model CFS100 supports the HART communication protocol. Parameter settings can be saved to simplify field device management.

Features

Supports HART and SFN communication protocols.

With a change of the communication interface, Model CFS100 supports both the HART and SFN communication protocols.

Ease-of-use increases fieldwork efficiency

The easy-of-use five-point check function increases efficiency during loop checks.

Easy management of configured parameters

- Parameter settings can be saved by Tag No.
- As needed, parameter settings can be exported as either a CSV file (text file) or as a PDF.

Supported models

Supported Models	Communication Protocol			Operation Manual
	<input checked="" type="checkbox"/> Available	<input type="checkbox"/> Not supported	Not yet available	
Advanced Transmitter Model GTX/Model JTG,D,A,E,H,S,C	✓	✓	✓	Included with the installation CD-ROM
ST3000 Smart Transmitter	✓	✓	✓	Included with the installation CD-ROM
ST3000 Smart Multivariable Flow Transmitter Model JTD720A	✓	✓	Not supported	Included with the installation CD-ROM
Smart Pressure Transmitter Model PTG	✓	✓	✓	Included with the installation CD-ROM
Advanced Temperature Transmitter Model ATT082	Not supported	Not supported	✓	Refer to the device's manual
Advanced Temperature Transmitter Model ATT (In case of SFN/DE communication, can apply for software version 3.5 or later.)	Ver 3.5 or later	Ver 3.5 or later	✓	Included with the installation CD-ROM
Steam Flowmeter Model MVC	✓	Not supported	Not supported	Included with the installation CD-ROM
Smart Displacement type Level Transmitter Model SLX	✓	Not supported	Not supported	Included with the installation CD-ROM
Immersion Type Liquid Level Transmitter Model JTL	✓	Not supported	Not supported	Included with the installation CD-ROM
Smart ESD Device 700 Series for Safety Instrumented Systems Model AVP77_78_79_	Not supported	Not supported	✓	Refer to the device's manual
Smart Valve Positioner 700 Series Model AVP701/702	Not supported	Not supported	✓	Refer to the device's manual
Smart Valve Positioner 200/300 Series Model AVP20_30_ (In case of HART communication, can apply for software version 3.9 or later.)	✓	✓	Ver 3.9 or later	Included with the installation CD-ROM
Smart Valve Positioner 300 Series HART + Travel Transmission Model AVP307	Not supported	Not supported	✓	Refer to the device's manual
Smart Valve Positioner for Rotary Valve Model SVX (In case of HART communication, can apply for software version 4.A or later.)	✓	✓	Ver 4.A or later	Included with the installation CD-ROM
MagneW PLUS+ Electromagnetic Flowmeter Model MGG (In case of SFN/DE communication, can apply for software version 6.0 or later. In case of HART communication, can apply for software version 5.0 or later.)	Ver 6.0 or later	Ver 6.0 or later	Ver 5.0 or later	Included with the installation CD-ROM
MagneW Two-wire PLUS+ Electromagnetic Flowmeter Model MTG (In case of SFN/DE communication, can apply for software version 5.0 or later.)	Ver 5.0 or later	Ver 5.0 or later	✓	Included with the installation CD-ROM
In-line Multivariable Vortex Flow Meter Model AX2200/2211/2222 (In case of HART communication, can apply for software version 78.02 or later.)	Not supported	Not supported	Ver 78.02 or later	Refer to the device's manual
Natural Gas Calorimeter Model CVM(S/W Version 1.0-1.4, 2.0)	Not supported	Not supported	✓	Refer to the device's manual

Model CFS100 does not support the devices not manufactured by Azbil Group.



Note: Personal computers are sold separately

Specifications

PC system

• Software

OS: Windows 7 Professional, Windows 8.1 Pro or Windows 10 Pro

(32-bit or 64-bit, Japanese or English edition)

• Hardware

Free disk space: 500 MB min.

USB ports: One, USB 2.0 or higher

CD-ROM drive: Needed for installation only

Note: Do not install any application on the PC other than the software required by Model CFS100.

Installing or using Model CFS100 requires logging onto Windows as an administrator.

SFN communication interface

USB connection: USB 2.0

Power: Supplied via the USB port
(rated current 22 mA; max. 30 mA)

Connection to PC: USB Type A plug

Connection to device: Alligator clip or easy hook

Environment:

Operating temperature; 0 to +50°C

Transport/storage temp.; -40 to +70°C

Operating humidity; 5 to 95 % RH

HART communication interface

Azbil Corporation recommends the following and does not guarantee the operation of other products.

Manufacturer: MACTek Corporation

Model number: Model 010031
(USB connection type)

Note: HART communication cannot communicate simultaneously with multiple HART hosts.

Model Number Configuration Table

Model CFS100 Smart communicator

Base number

CFS100		-		
Connection	USB connection		U	
Communication interface^{*1}	none			X
	SFN communications interface (alligator clip)			1
	SFN communications interface (easy hook)			2
Option	none			X

*1. To use the HART communication protocol, select "X" here, and purchase the HART communication interface separately.

Connection Example

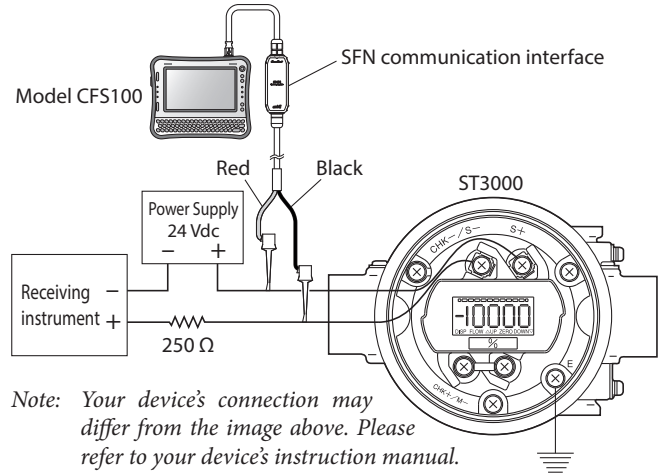
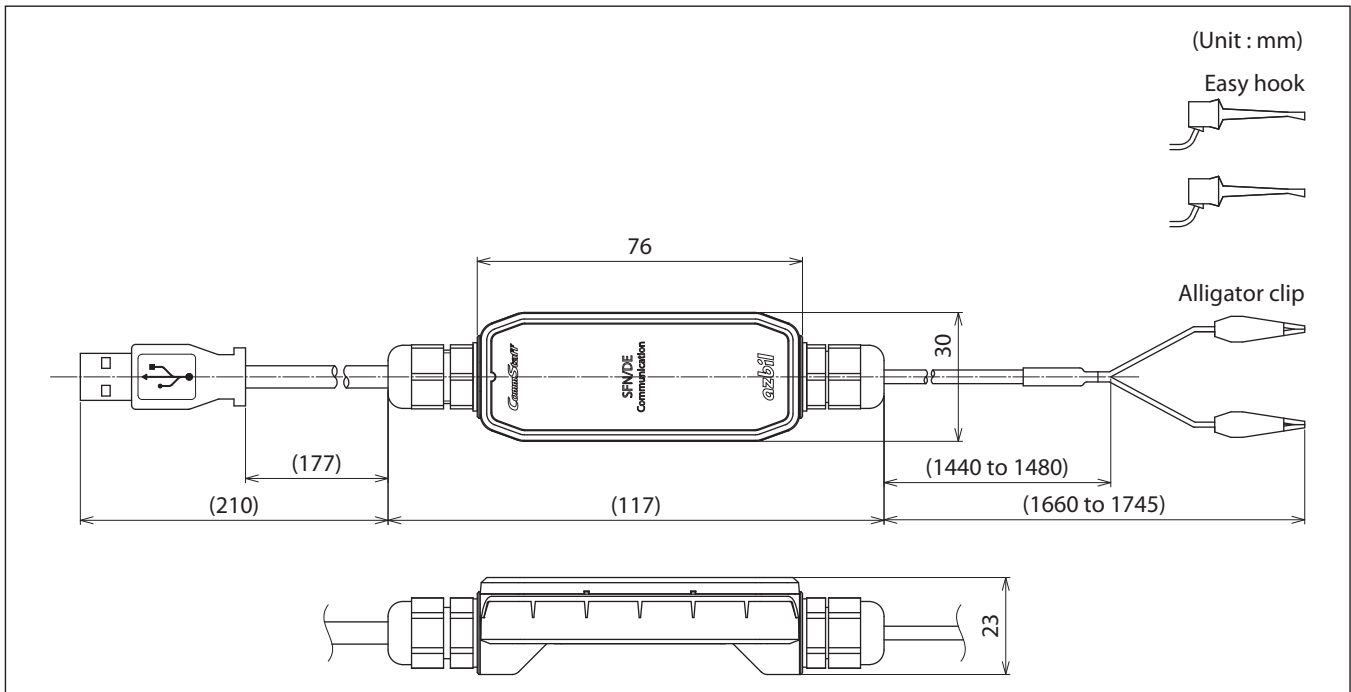


Figure 1. Example of SFN communication connection.

External Dimensions



HART® is registered trademark of FieldComm group.

MagneW is a trademark of Azbil Corporation in Japan and/or other countries.

Windows® is registered trademark of Microsoft Corporation in the United States and other countries.

Please read "Terms and Conditions" from the following URL before ordering and use.

<https://www.azbil.com/products/factory/order.html>

Specifications are subject to change without notice.

azbil

Azbil Corporation

Advanced Automation Company

1-12-2 Kawana, Fujisawa

Kanagawa 251-8522 Japan

URL: <https://www.azbil.com/>

1st edition: Jan. 2011
10th edition: Apr. 2019

No part of this publication may be reproduced or duplicated without the prior written permission of Azbil Corporation.