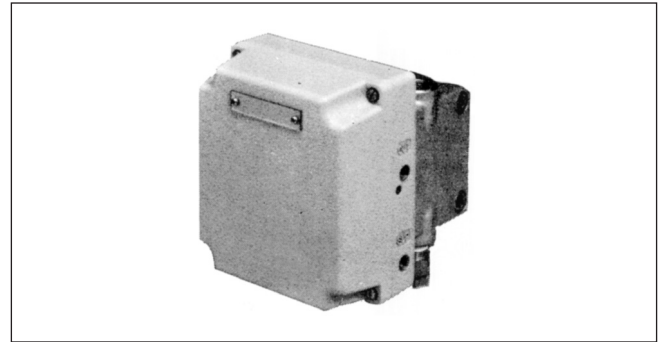


Pneumatic Pressure Transmitters (Absolute Pressure)

Model KKP25/26/27/28

Overview

Model KKP is a pneumatic transmitter which employs a combination of a vector balance mechanism and an involute mechanism. Its wide variety of features include high resistance against adverse environments, high turn-down ratio, and easy maintenance.



Standard Specifications

Item	Specifications	
	Basic model No.	
Measuring range (continuously variable)	KKP25	0–35 to 0–686 kPa
	KKP26	0–10 to 0–196 kPa
	KKP27	0–3.4 to 0–66.6 kPa
	KKP28	0–0.7 to 0–13.3 kPa
Operating pressure	Operating pressure	
	KKP25	0–686 kPa abs
	KKP26	0–196 kPa abs
	KKP27	0–66.6 kPa abs
Process connection	Rc 1/2 or 1/4 and 1/2 or 1/4 NPT female thread	
	KKP28	0–13.3 kPa abs
	Overload resistance	
	KKP25	1.4 MPa abs
KKP26	0.6 MPa abs	
KKP27	0.4 MPa abs	
KKP28	0.4 MPa abs	
Air supply connection	Rc 1/4 or 1/4 NPT female thread	
Supply air pressure	140 ±14 kPa	
Output	20 to 100 kPa (see the model number selection for other outputs)	
External load	I.D. 4 mm × Length 3 m + 20 cm ³ or more	
Air supply capacity	20 L/min (normal) or more at 6.7 kPa	
Air consumption	5 L/min (normal) or less (when balanced at 100 % output)	
Accuracy	KKP25	±1 % FS (span 35 to less than 70 kPa abs), ±0.5 % FS (span 70 kPa abs or more)
	KKP26	±1 % FS (span 10 to less than 20 kPa abs), ±0.5 % FS (span 20 kPa abs or more)
	KKP27	±1 % FS (span 3.4 to less than 6.8 kPa abs), ±0.5 % FS (span 6.8 kPa abs or more)
	KKP28	±1 % FS (span 0.7 to less than 1.4 kPa abs), ±0.5 % FS (span 1.4 to less than 9.8 kPa abs), ±0.75 % FS (span 9.8 kPa abs or more)
Deadband	0.1 % FS	
Operating temperature	Meter body (process fluid): –40 to +120 °C Transmitter (ambient): –30 to +80 °C	
Operating humidity	10 to 90 % RH	
Structure	Dust-proof and water-proof	Satisfies IEC IP54, NEMA TYPE 3R, JIS C0920 rainproof
Material	Bellows	SUS316L
	Wetted parts gasket	PTFE
	Wetted parts	Carbon steel (SF440A) or SUS316
Finish	Baked acrylic finish. Color: light beige (Munsell 4Y7.2/1.3)	

Item		Specifications
Basic model No.		
Material	Bellows	SUS316L
	Wetted parts gasket	PTFE
	Wetted parts	Carbon steel (SF440A) or SUS316
	Transmitter case	Aluminum alloy
Finish		Baked acrylic finish. Color: light beige (Munsell 4Y7.2/1.3)
Mounting		On vertical or horizontal 2-inch pipe
Mass		Approx. 9 kg (+ 0.6 kg for model with Pressure Regulator with air filter (RA1B))

Additional specifications

Item		Specifications	
Basic model No.		Span	Elevation (max.)
Elevation*	KKP25	35 to 686 kPa	653 kPa abs
	KKP26	10 to 196 kPa	186 kPa abs
	KKP27	3.4 to 66.6 kPa	63.2 kPa abs
	KKP28	0.7 to 13.3 kPa	12.6 kPa abs
Pressure Regulator with air filter (RA1B)	Primary pressure	200 to 1035 kPa	
	Secondary pressure	140 kPa	
	Filter mesh diameter	5 μm	
	Connection	Rc 1/4 or 1/4 NPT female thread	

* Elevation + Span ≤ Maximum operating pressure

Optional Specifications

Item		Specifications	
Degreasing	Y67	Wetted parts	
Corrosion-resistant and silver finish	Y138	Corrosion-resistant (baked acrylic) finish (Y138A)	Resistance against corrosive gases
		Heavy corrosion-resistant (baked epoxy) finish (Y138B)	Resistance against corrosive liquids
		Silver-normal (baked acrylic) finish (Y138C)	Prevention of device temperature rise due to direct sunlight, radiant heat, etc.
		Silver-corrosion-resistant (baked acrylic) finish (Y138D)	Prevention of temperature rise as described above and resistance to corrosive gases
		<i>Note: Silver finish should not be used in alkaline gases.</i>	
Output indicator	Y185	With φ100 gauge	
High vibration resistance	Y188	High vibration-resistance model with a dashpot	

Model Selection Table

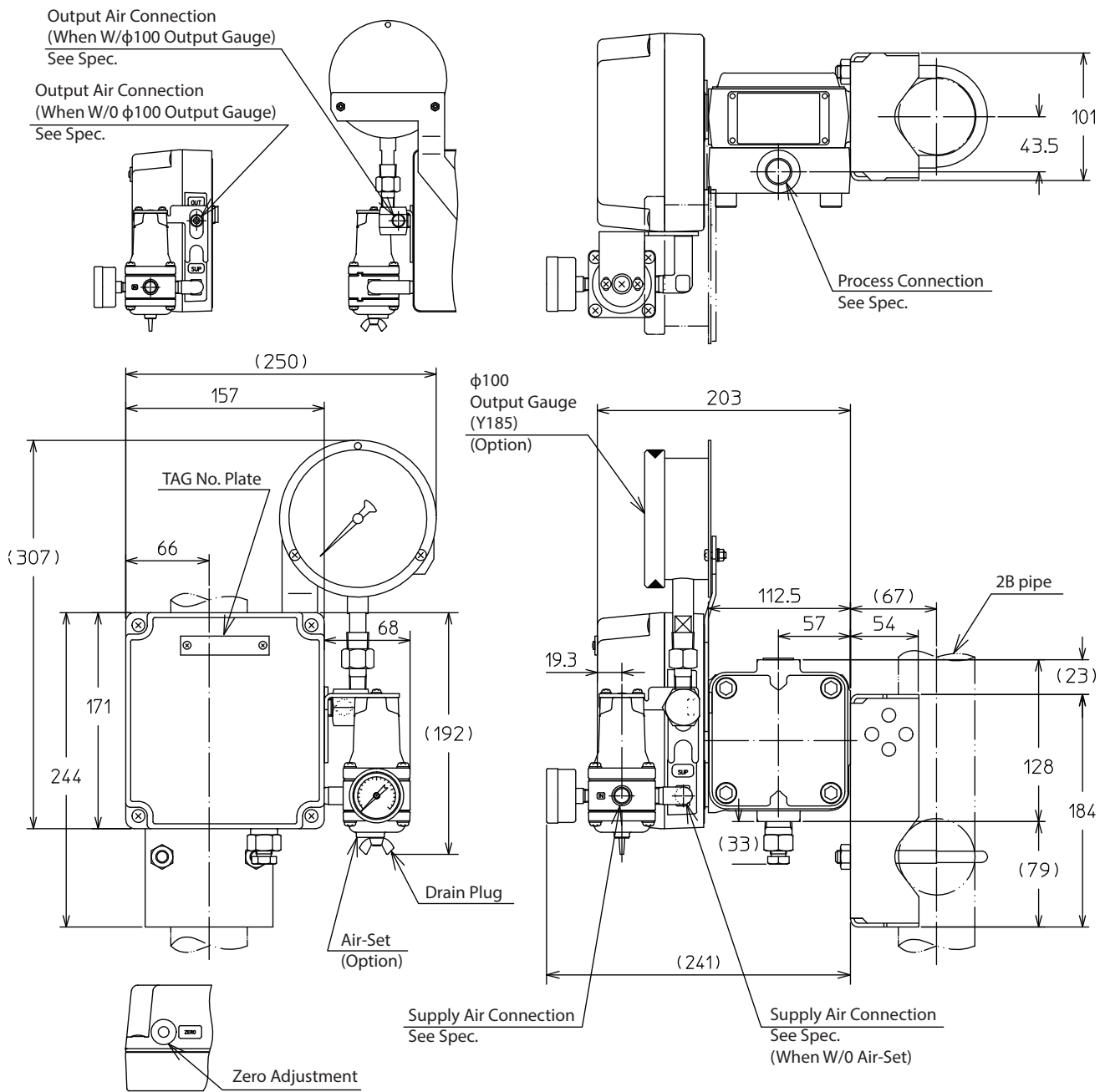
		Basic model No.	Optional spec.				Add'l spec.
Measuring span (kPa)	0-35 to 0-686	KKP25					
	0-10 to 0-196	KKP26					
	0-3.4 to 0-66.6	KKP27					
	0-0.7 to 0-13.3	KKP28					
Cover material/ element material	SF440A/SUS316L		1	8			
	SUS316/SUS316L		2	8			
Air supply con- nection	Rc 1/4 female thread					A	
	1/4 NPT female thread					B	
Signal air pres- sure	kgf/cm ² : 0.2 to 1.0 kgf/cm ² *1						1
	psi: 3 to 15 psi*1						2
	bar: 0.2 to 1.0 bar*1						3
	Pa: 20 to 100 kPa						4
	Pa: 19.6 to 98.1 kPa (0.2 to 1.0 kgf/cm ² or equivalent)						8
Additional speci- fications	None						X
	Elevation						5
	Pressure Regulator with air filter (RA1B)						R

*1. Non-SI units can only be used overseas.

Dimensions

Model KKP25/26/27/28

unit: mm



Please read "Terms and Conditions" from the following URL before ordering and use.
<https://www.azbil.com/products/factory/order.html>

Specifications are subject to change without notice.



Azbil Corporation
 Advanced Automation Company

1-12-2 Kawana, Fujisawa
 Kanagawa 251-8522 Japan
 URL: <https://www.azbil.com/>