

MagneW™ PLUS+

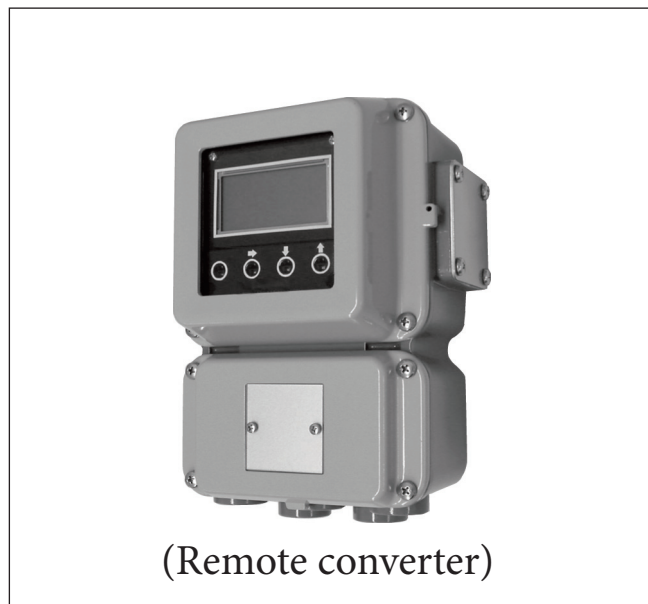
Electromagnetic Flowmeter Converter

Model MGG14C

OVERVIEW

MagneW PLUS+ electromagnetic flowmeter converter is a high-performance and highly reliable flowmeter converter based on Azbil Corporation's proven MagneW PLUS+ flow measurement technologies.

The MagneW PLUS+ converter offers expanded flow rate measurement capabilities in the various processes when used with the MagneW detectors.



FEATURES

Improved performance and function

- Improved noise immunity performance up to 250 %.
- Averaging function for pulsating flow applications has been added.
- User selectable functionality provides advanced noise immunity technology such as auto spike cut function and excitation frequency change.
- Optional "Fast Response" model for short run batch applications.

Universal power supply

- AC 90 to 130 V, AC 180 to 250 V.

Liquid Crystal Display with backlighting (optional)

- Backlit display eases reading in direct sunlight or poor lighting conditions.
- Simultaneously displays flow volume in percentage, actual flow rate and totalized value.
- Rotating display improves visibility of integral models mounted on pipes up to 90 degrees from standard.

Setting parameters by infrared touch sensor (optional)

- Allows safe setting, in severe environments, without opening the cover.
- Write protect function prevents tampering with converter settings.

Compatibility

- MagneW PLUS+ converter is compatible with all conventional Azbil Corporation's detectors.

CE marking

Conforms to RoHS requirements (restriction of the use of certain hazardous substances in electrical and electronic equipment)

COMMUNICATION (SELECTABLE)

- DE protocol
- HART protocol (HART Rev. 5)

APPLICATIONS

Available for various applications such as:

Pulp and Paper

Pulp slurries, chemicals, green liquor, white water, white liquor, black liquor, corrosive fluid, industrial water, waste water

Petroleum/Petrochemical/Chemicals

Corrosive fluid, electrolyte, dyestuffs, chemicals, industrial water, waste water

Water/Waste water

Tap water, sewage water, sludge, sediment slurries, effluent

Food and Beverage

Beer, milk, juice, wine, liquor, soy sauce, potable water, industrial water, waste water

Steel/Metal and Mining

Alumina slurry, cooling water, sea water, corrosive fluid, industrial water, waste water

Machinery

Corrosive fluid, cooling water, circulating water, waste water

Building/Construction

Building material slurry, sediment slurry, cement, industrial water

Electric Power/Gas

Corrosive fluid, cooling water, industrial water, waste water

FUNCTIONAL SPECIFICATIONS

Type of protection

Enclosure rating

JIS C 0920 Waterproof
NEMA ICS6-110.16 TYPE4X
IEC PUBL 529 IP66

Hazardous area certification:

FM approval

<for Division 2>
Nonincendive for
Class I, Division 2, Groups A, B, C & D, T5;
Class II, Division 2, Groups F & G, T5;
Class III, Division 2, T5;
 $-25\text{ }^{\circ}\text{C} \leq T_{\text{amb}} \leq +60\text{ }^{\circ}\text{C}$

Power supply

Normal operating voltage:

AC 100 to 120 V, AC 200 to 240 V, 47 to 63 Hz

Operational voltage limit:

AC 90 to 130 V, AC 180 to 250 V, 47 to 63 Hz

Power consumption

10W max. (AC 90 to 130 V)

11W max. (AC 180 to 250 V)

Lightning protection

12 kV, 1000 A

Equipped with the lightning arrester in the power source and external input and output terminals.

Power failure

An EEPROM retains data record of the totalized value when pulse output is used (retention period approximately 10 years).

EMC conformity standards

EN61326

Input signal

Flow rate signal

Electromotive force which is proportional to the average flow velocity.

Contact input

Solid-state contact or no-voltage contact (2 max.)

Output signal

Analog output

4 to 20 mA DC

Digital output

DE

Analog or digital output is selectable.

Contact output

Open collector (2 max.)

Contact capacity

DC 30 V max., 200 mA max.

Pulse output

Open collector

Contact capacity

DC 30 V max., 200 mA max.

Pulse Frequency

0.00006 to 3000 Hz

Pulse width

adjustable from 0.10 to 999.99 ms or fixed at 50 % of the duty (In case of pulse frequency is 0.00006 to 0.5 Hz, pulse width is fixed at 1sec.)

Voltage drop during transistor ON: 2.7 V typ. (Voltage drop can be reduced to 2.0 V by a switch)

Analog output range/load resistance**Without SFC communication**

0.8 to 22.4 mA (-20 to +115 %)

Load resistance: 0 to 600 Ω

With SFC communication

3.2 to 22.4 mA (-5 to +115 %)

External power supply required for SFC communication:

16 to 45 V DC

Load resistance (Ω) = (External power supply voltage - 8.5 V)/0.025

With HART communication by using Internal power supply

3.2 to 22.4 mA (-5 to +115 %)

Load resistance: 0 to 600 Ω

With HART communication by using an external power supply

3.2 to 22.4 mA (-5 to +115 %)

External power supply required for HART communication: 16 to 45 V DC

Load resistance (Ω) = (External power supply voltage - 8.5 V)/0.025

Fast response type/no communication function

0.8 to 22.4 mA (-20 to +115 %)

Load resistance: 0 to 600 Ω

Digital output range/load resistance

With DE output

3.2 to 22.4 mA (-5 to +115 %)

External power supply required for DE communication:

16 to 45 V DC

Load resistance (Ω) = (External power supply voltage - 8.5 V)/0.025

Unit of flow rate

Selectable from %, volumetric flow rate unit, mass flow rate unit, time.

Volumetric flow rate: m³, L, cm³, B (barrel), G (gallon), kG, mG, IG (imperial gallon),

Mass flow rate: t, kg, g, lb (pound)

Time: d, h, min., s

Note) Selection for non-SI unit, option code "H" must be selected.

Operation Mode

MEASURING MODE:

Mode for flow rate measurement

BASIC SETUP MODE:

Mode for quick start-up

ENGINEERING MODE

Mode for parameter configuration (Range, pulse scale, etc.)

MAINTENANCE MODE

Mode for maintenance

ADVANCED MODE

Mode for advanced functions

Auto zeroing function (in the BASIC SETUP MODE)

Adjust zero automatically

Damping (in the BASIC SETUP MODE)

Adjustable between 0.1 and 199.9 seconds

Fast response type: Adjustable between 0 and 199.9 seconds

Averaging function (in the ADVANCED MODE)

Moving average processing of the measured flow rate ON/OFF, Adjustable between 1.0 and 30.0 seconds

Spike cut function (in the ADVANCED MODE)

Eliminates steep noise spikes.

Auto/Manual/OFF

Low flow cutoff

Adjustable between 0 and 10 % of setting range Below selected value, output is driven to the zero flow rate signal level.

Drop out

Adjustable between 0 and 10 % of setting range Below selected value, pulse output is fixed at 0 %.

Fail-safe mode

Determine analog/pulse output direction when the flow meter detects a critical status condition.

LOW/HIGH/HOLD

Compensation coefficient (in the ADVANCED MODE)

Compensation coefficient used to multiply the output flow rate as required.

Built-in counter function**Totalizer**

According to the pulse scale setting, it totals one count at a time. If double range of normal/reverse flow measurement function is set, it totals one count at a time for normal and reverse flows. If single range of flow measurement is set, it totals one count at a time only for normal flow direction.

Totalizer with presetting function

A preset value (target totalized value) can be set between 0000000000 and 9999999999. The counting method is same as that of the standard totalizer.

Normal/reverse flow difference totalizer

The difference in flow volumes in the normal or reverse flow directions is calculated and counted.

Contact input function**External 0 % lock input**

Forces outputs (analog, digital, pulse) to the zero flow rate signal level.

External automatic zero adjustment input

Adjust zero.

External range switching input

Switches two flow measurement ranges.

Two flow measurement ranges:

Dual range for nominal direction.
Normal/reverse range

Built-in counter reset input

Resets the totalized value in the built-in counter.

Contact output function**Alarm output**

Outputs an alarm under the following conditions.

- Self-diagnostic result
- Empty pipe detection
- High/low limit alarm

Range switching output

Outputs the status of flow range.

- Large/small in the dual range
- Normal/reverse

Counter preset status output

Activates when the counter reaches the preset value.

Self-diagnostic result output

Activates only when a critical failure appears by the self-diagnostic.

Empty detection output

Activates only when empty status (when electrodes are in contact with air) is detected.

Please make sure that there is no air trap inside of the detector and process fluid conductivity should be 30 mS/cm or greater for functioning properly.

High/low limit alarm output

Activates when a high/low limit occurs.

Two-stage flow rate alarm output (with two contact outputs)

Activates when the first high/low limit alarm (H/L) occurs and the second high/low limit alarm (HH/ LL) occurs.

Detectors coupled with MGG14C converter

MGG14C works with the following Azbil Corporation's detectors.

Note that if only the converter is replaced onsite with another product, accuracy adjustment is required by recalibrating at the actual flow rate.

Integral style:

MGG11/18D, MGG11/18F, MGG11/18U, MGS11/ 28U, MGS11/28F, KID90A, KID80A, KID70A

Remote style:

MGG11/18D, MGG11/18F, MGG11/18U, MGG12/19D, MGG12/19F, MGG12/19U, MGS11/ 28U, MGS11/28F, MGG15D, MGG15F, KID15B, KID20B, KID30B, KID80B, KID70B, KID90B, KID10B, KID11B, KID12B, NNK140, NNM (some types are not compatible.)

Optional specifications

Display (optional): LCD with backlighting

Main display

7-segment, 6 digits

Sub display

16 digits, two lines

Display

Flow rate in %, Actual flow rate, Totalized value Configuration parameters, Self-diagnostic, Write protect status

Main display is selectable among "flow rate in %", "actual flow rate" and "totalized value".

The contents of the main and sub displays can be switched using the data setting device.

Data setting device

Configuration by infrared ray touch sensor Infrared ray touch sensor: Four switches Write protect: Write protection level is set by switches in the converter. Write protect level is indicated on the display.

Empty pipe detection

When the detector is empty, the analog output, digital output and pulse output are fixed at zero. Display is latched to zero.

Traceability certificate

The following three documents are provided.

- Traceability system chart
- Traceability certificate
- Calibration certificate

Tag number on the terminal box

The designated tag numbers (maximum 16 characters) should be stamped on a tag plate, which is attached to the terminal box. One line can contain 8 characters. Tag numbers exceed 8 characters will be stamped on the two lines.

PT 1/4 air purge hole:

Make a PT 1/4 threaded air purge hole using one wiring connection port.

PERFORMANCE SPECIFICATION

Measurable process fluid conductivity

It depends on the cable length between the converter and the detector.

With the detector size of 2.5 to 1100 mm (0.1 to 44 inch) 3 $\mu\text{S}/\text{cm}$ or greater

Accuracy (coupled with MGG, MGS and KID90 type detectors)

Table 1.

in combination with a detector

<Size 2.5 to 15 mm (0.1 to 1/2 inch)>

Vs = Velocity of setting range

Vs (m/s)	Velocity during measurement $\geq V_s \times 40\%$	Velocity during measurement $\leq V_s \times 40\%$
$1.0 \leq V_s \leq 10$	$\pm 0.5\%$ of rate	$\pm 0.2\%$ of Vs
$0.1 \leq V_s \leq 1.0$	$\pm(0.1/V_s+0.4)\%$ of rate	$\pm 0.4(0.1/V_s+0.4)\%$ of Vs

<Size 25 to 600 mm (1 to 24 inches)>

Vs = Velocity of setting range

Vs (m/s)	Velocity during measurement $\geq V_s \times 20\%$	Velocity during measurement $\leq V_s \times 20\%$
$1.0 \leq V_s \leq 10$	$\pm 0.5\%$ of rate	$\pm 0.1\%$ of Vs
$0.1 \leq V_s \leq 1.0$	$\pm(0.1/V_s+0.4)\%$ of rate	$\pm 0.2(0.1/V_s+0.4)\%$ of Vs

<Size 700 to 1100 mm (28 to 44 inches)>

Vs = Velocity of setting range

Vs (m/s)	Velocity during measurement $\geq V_s \times 50\%$	Velocity during measurement $\leq V_s \times 50\%$
$1.0 \leq V_s \leq 10$	$\pm 1.0\%$ of rate	$\pm 0.5\%$ of Vs
$0.1 \leq V_s \leq 1.0$	$\pm(0.2/V_s+0.8)\%$ of rate	$(0.2/V_s+0.8)\%$ of Vs

Magnetic field effect

$\pm 0.2\%$ FS max. (400 A/m)

Allowable piping vibration:

Integrated model: 4.9 m/s^2 (0.5 G) max.

Remote converter: 4.9 m/s^2 (0.5 G) max.

Remote detector: 19.6 m/s^2 (2 G) max.

Output Fluctuation

Range set as $1 \leq V_s \leq 10\text{m/s}$: $\pm 0.1\%$ FS max.

Range set as $0.1 \leq V_s \leq 1\text{m/s}$: $\pm 0.1/V_s\%$ FS max.

(Damping: 3 seconds, with clean water (150 $\mu\text{S}/\text{cm}$))

PHYSICAL SPECIFICATION

Housing and cover material

Aluminum alloy (ADC 12)

Glass

Tempered glass (thickness 5 mm (0.2 inch))

Name plate material

SUS304 (thickness 0.5 mm (0.02 inch))

Screw material

SUS304

Gasket material between housing and cover

EPDM

Paint

Standard: baked acrylic resin
Corrosion-proof: Urethane resin

Color

Cover: light beige (Munsell 4Y7.2/1.3)

Housing: dark beige (Munsell 10YR4.7/0/5)

INSTALLATION SPECIFICATION

Ambient temperature

-25 to +60 degree C (-13 to +140 degree F)

Ambient humidity

5 to 100 %RH (no condensation)

Vibration

Integral style: 500 Hz max. 4.9 m/S² (0.5 G) (16.076 ft/S²) max.

Remote style: 500 Hz max., 19.6 m/S² (2 G) (64.304 ft/S²) max.

Conduit connection

G1/2 (PF1/2) internal thread, 1/2NPT internal thread,
CM20 internal thread,
pg13.5 internal thread

Mounting

Remote style: Wall mounting, 2-inch pipe mounting

Integral style: Mount on the detector

Grounding

Grounding resistance: 100 Ω max.

Weight

3.1 kg (6.83 lb)

SITE SELECTION

When selecting an installation site for the flowmeter, observe the following safety measures:

- Do not install the flowmeter near high-current power lines, motors or transformers to prevent damage from electromagnetic induction, which can cause equipment malfunction or output errors.
- Do not use the flowmeter to ground a welder. It can damage the flowmeter.
- Be sure to ground the welding power transformer when welding near the flowmeter to avoid output errors.
- Avoid locations subject to severe vibration or highly corrosive atmospheres to prevent detector breakage or equipment damage.
- Do not install the flowmeter in a location subject to direct sunlight, wind and rain. The converter and detector can be damaged.

MODEL SELECTION

MagneW PLUS+ Converter (Integral style)

Model MGG14C - I II III IV - V VI VII VIII - / Options (Some options can be selected per each model.)

Basic model no.		Selections			Optional selections		
MGG14C							
I	Power supply	100 to 120 V AC, 200 to 240 V AC, 47 to 63Hz	M				
		24 V DC, noise filter 50 Hz	P				
		24 V DC, noise filter 60 Hz	R				
II	Output signal / Communication (Note 10)	Volume flow 4 to 20 mA DC output / with open collector pulse output / with HART communication or without communication	H				
		Volume flow 4 to 20 mA DC output / with open collector pulse output / with SFC communication (Note 1)	B				
		Volume flow DE output / with open collector pulse output / without communication (Note 1)	C				
		Fast Response model Volume flow 4 to 20 mA DC output / with open collector pulse output /without communication (Note 9)	R				
III	Electrical connection / Watertight gland	G1/2 internal thread / with brass (Ni-plated) watertight gland			2		
		G1/2 internal thread / with plastic watertight gland			3		
		1/2NPT internal thread / without watertight gland (Note 2)			4		
		CM20 internal thread / without watertight gland			5		
		Pg13.5 internal thread / without watertight gland			6		
		G1/2 internal thread / with SUS304 watertight gland			7		
IV	Installation / Wiring direction	Horizontal piping mounting / upstream side			A		
		Horizontal piping mounting / downstream side			B		
		Horizontal piping mounting / left side viewed from upstream			C		
		Horizontal piping mounting / right side viewed from upstream			D		
		Vertical piping mounting / downstream side (flow direction: downstream to upstream)			E		
V	Finish	Corrosion-resistant finish			1		
		Corrosion-proof finish			2		
VI	Display with data setting device	None (Note 7)				X	
		Main display: instantaneous flow rate in %				A	
		Main display: instantaneous actual flow rate				B	
		Main display: indication of totalized value				C	
VII	Contact inputs / outputs	1 input and 1 output (ranging function, warning for contact input/output, etc.)				1	
		2 inputs (ranging function, external automatic zero adjustment input, etc.)				2	
		2 outputs (ranging function, warning for contact outputs.)				3	
VIII	Style code	None				X	
		FM NI approval (Note 3, 11)				N	

Options	Azbil Corporation version (Must be selected)	Y
	Empty pipe detection function (Note 8)	A
	Traceability certificate for converter	C
	Plastic (Polycarbonate) window	G
	Indication other than SI units (Note 6)	H
	Attachment of the TAG number to the terminal box for converter (Note 4)	J
	Specific color paint (Note 5)	L

- Note) 1. External DC power supply is necessary on analog 4-20 mA output.
No analog output is expected without the external DC Power supply.
2. Must be selected for FM NI approval.
3. For FM NI, the Electrical connection / watertight gland selection code must be "4".
4. Must be selected for Tag no. requirement.
5. Must specify Munsell No.
6. Must be specified for non-SI unit indication.
7. If no display is selected, configuration should be done by HART or SFC communicator.
8. When process fluid level in the flowtube is under electrodes, this function is activated and display and output are latched to zero.
9. Applicable detector size is from 15 to 80 mm.
10. Code H must be selected in case that NK approval model is regurred.
11. If FM NI is selected as a style code, the converter model MGS28U is not applicable.

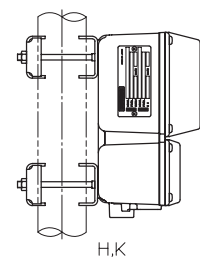
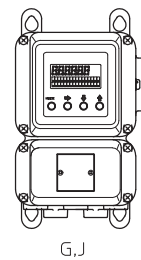
MagneW PLUS+ Converter (Remote style)

Model MGG14C - I II III IV - V VI VII VIII - Options (Some options can be selected per each model.)

Basic model no.		Selections		Optional selections	
MGG14C					
I	Power supply	100 to 120 V AC, 200 to 240 V AC, 47 to 63 Hz	M		
		24 V DC, noise filter 50 Hz	P		
		24 V DC, noise filter 60 Hz	R		
II	Output signal / Communication (Note 10)	Volume flow 4 to 20 mA DC output / with open collector pulse output / with HART communication or without communication	H		
		Volume flow 4 to 20 mA DC output / with open collector pulse output / with SFC communication (Note 1)	B		
		Volume flow DE output / with open collector pulse output / without communication (Note 1)	C		
		Fast Response model Volume flow 4 to 20 mA DC output / with open collector pulse output /without communication (Note 9)	R		
III	Electrical connection / Watertight gland	G1/2 internal thread / with brass (Ni-plated) watertight gland		2	
		G1/2 internal thread / with plastic watertight gland		3	
		1/2NPT internal thread / without watertight gland (Note 2)		4	
		CM20 internal thread / without watertight gland		5	
		Pg13.5 internal thread / without watertight gland		6	
		G1/2 internal thread / with SUS304 watertight gland		7	
IV	Installation / Wiring direction	Wall mounting with standard bracket			G
		2-inch pipe mounting with standard bracket			H
		Wall mounting with SUS304 bracket			J
		2-inch pipe mounting with SUS304 bracket			K
V	Finish	Corrosion-resistant finish			1
		Corrosion-proof finish			2
VI	Display with data setting device	None (Note 7)			X
		Main display: instantaneous indication of flow rate in %			A
		Main display: instantaneous indication of actual flow rate			B
		Main display: indication of totalized value			C
VII	Contact inputs / outputs	1 input and 1 output (ranging function, warning for contact input/output, etc.)			1
		2 inputs (ranging function, external automatic zero adjustment input, etc.)			2
		2 outputs (ranging function, warning for contact outputs.)			3
VIII	Style code	None			X
		FM NI approval (Note 3, 11)			N

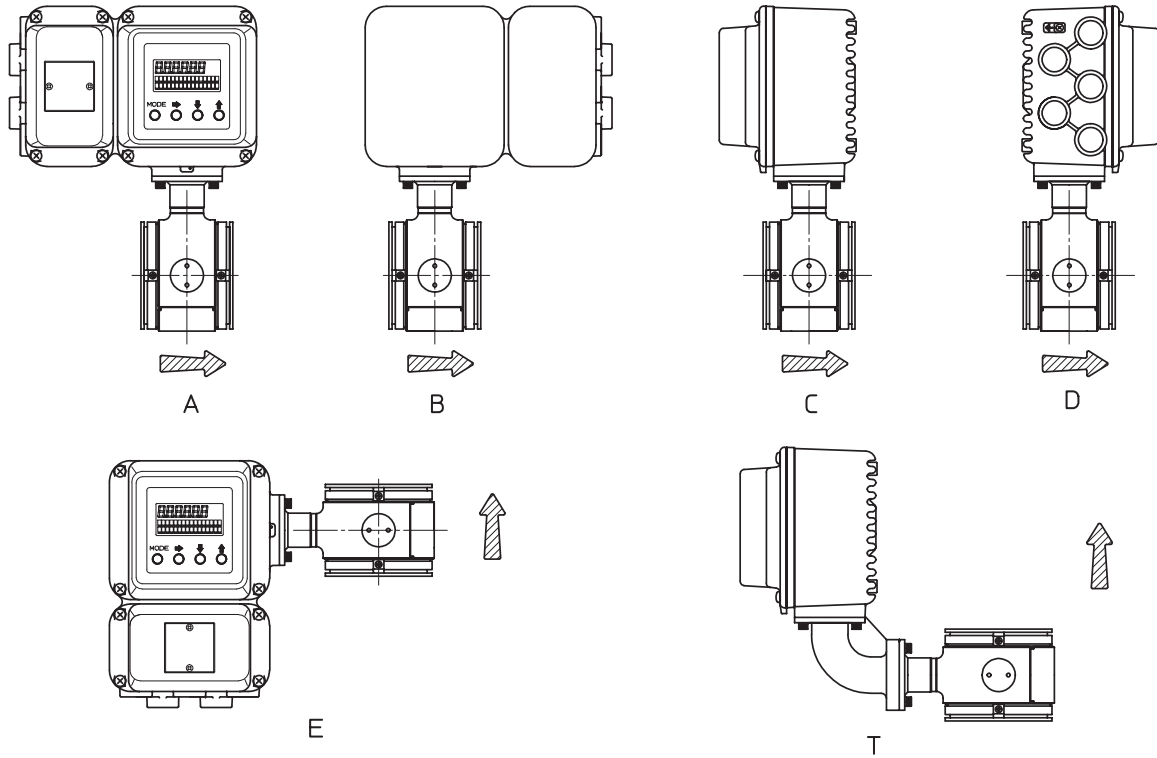
Options		
	Azbil Corporation version (Must be selected)	Y
	Empty pipe detection function (Note 8)	A
	Traceability certificate for converter	C
	Plastic (Polycarbonate) window	G
	Indication other than SI units (Note 6)	H
	Attachment of the TAG number to the terminal box for converter (Note 4)	J
Specific color paint (Note 5)	L	

Installation / Wiring direction

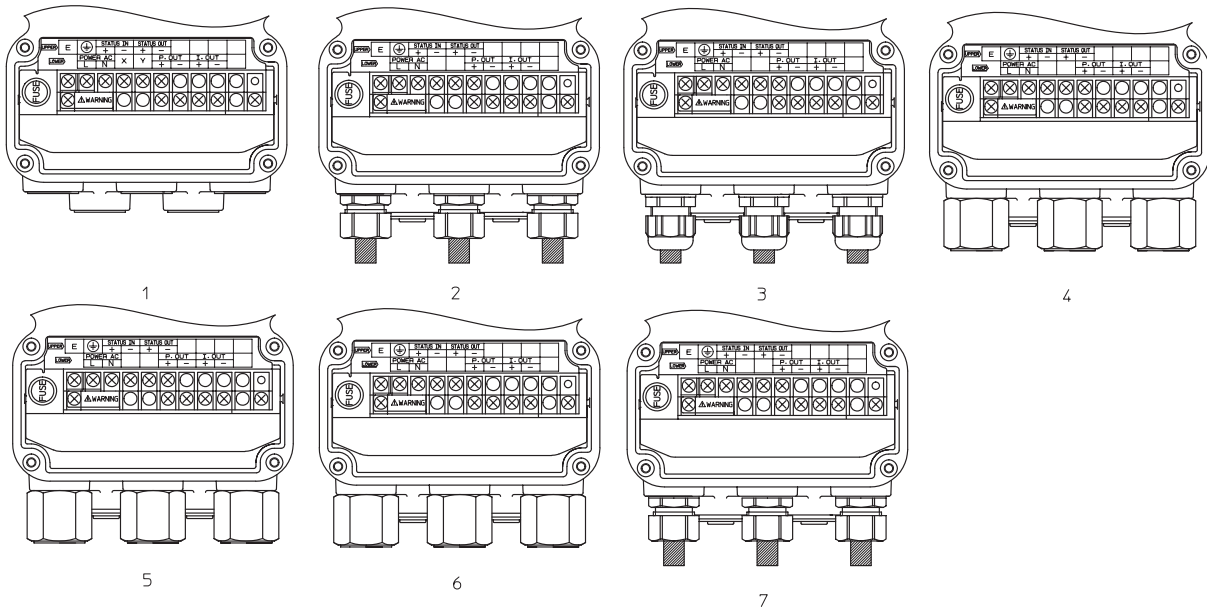


- Note) 1. External DC power supply is necessary on analog 4-20 mA output.
No analog output is expected without the external DC Power supply.
- Must be selected for FM NI approval.
 - For FM NI, the Electrical connection/watertight gland selection code must be "4".
 - Must be selected for Tag no. requirement
 - Must specify Munsell No.
 - Must be specified for non-SI unit indication.
 - If no display is selected, configuration should be done by HART or SFC communicator.
 - When process fluid level in the flowtube is under electrodes, this function is activated and display and output are latched to zero.
 - Applicable detector size is from 15 to 80 mm.
 - Code H must be selected in case that NK approval model is required.
 - If FM NI is selected as a style code, the converter model MGS28U is not applicable.

MOUNTING / WIRING DIRECTION



CONDUIT CONNECTION / WATERTIGHT GLAND

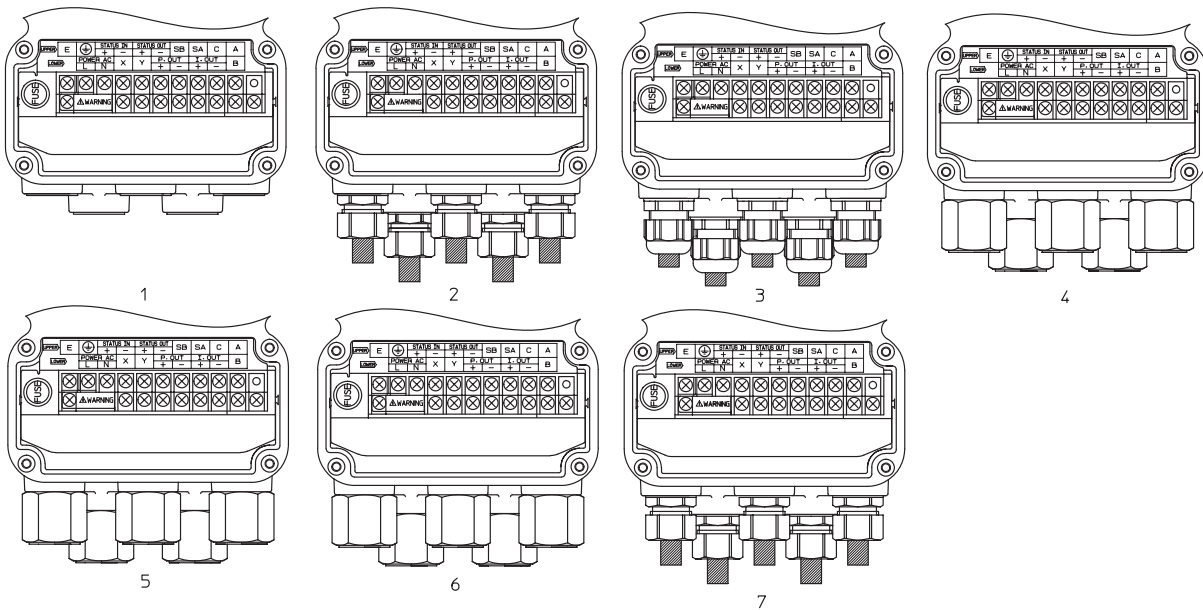


CONVERTER TERMINAL DESCRIPTION

Table 2. Remote converter terminal descriptions

(1-contact output / 1-contact input)		(2-contact inputs)		(2-contact outputs)	
Symbol	Description	Symbol	Description	Symbol	Description
A	Flow signal input from detector	A	Flow signal input from detector	A	Flow signal input from detector
B					
C					
SA					
SB					
I. OUT	+	I. OUT	+	I. OUT	+
	-		-		-
P. OUT	+	P. OUT	+	P. OUT	+
	-		-		-
X	Excitation output	X	Excitation output	X	Excitation output
Y					
STATUS OUT	+	STATUS IN 2	+	STATUS OUT 1	+
	-		-		-
STATUS IN	+	STATUS IN 1	+	STATUS OUT 2	+
	-		-		-
POWER AC	L	POWER AC	L	POWER AC	L
	N		N		N
E	Not used	E	Not used	E	Not used
\perp	Grounding (grounding resistance must be < 100 Ω)	\perp	Grounding (grounding resistance must be < 100 Ω)	\perp	Grounding (grounding resistance must be < 100 Ω)

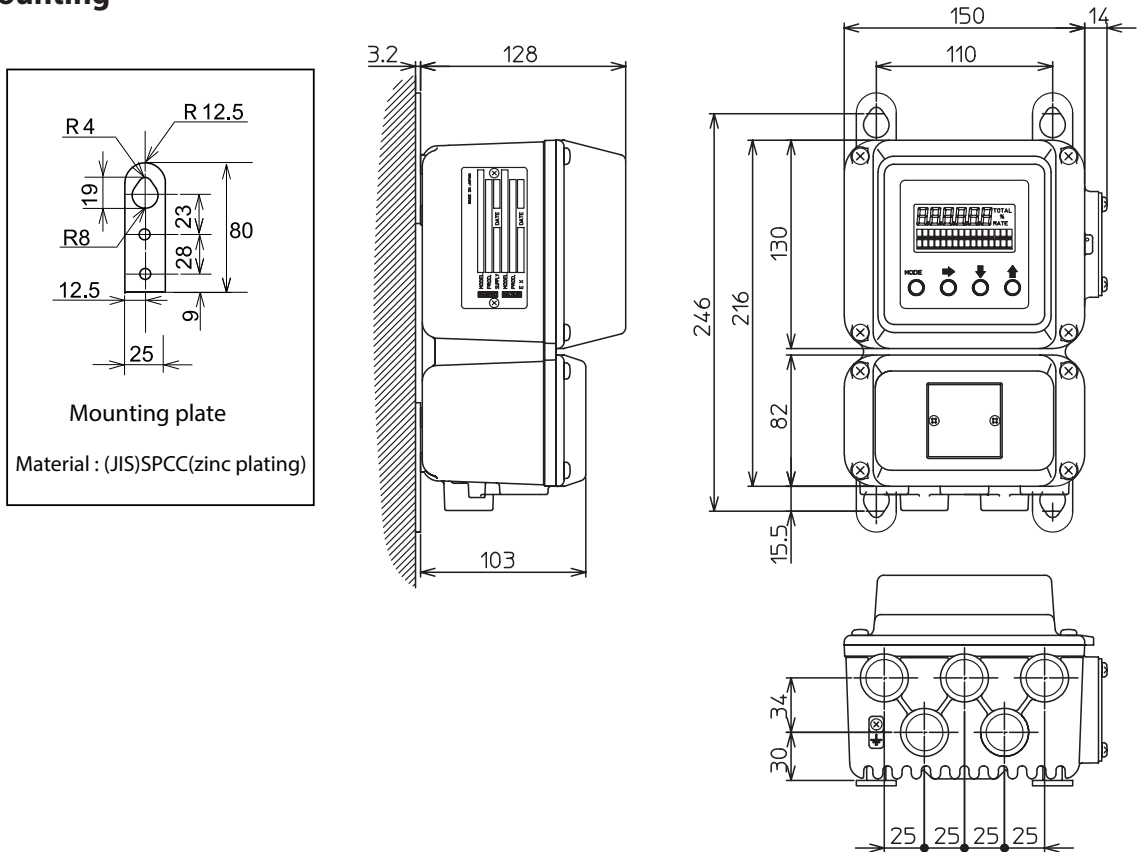
CONDUIT CONNECTION / WATERTIGHT GLAND



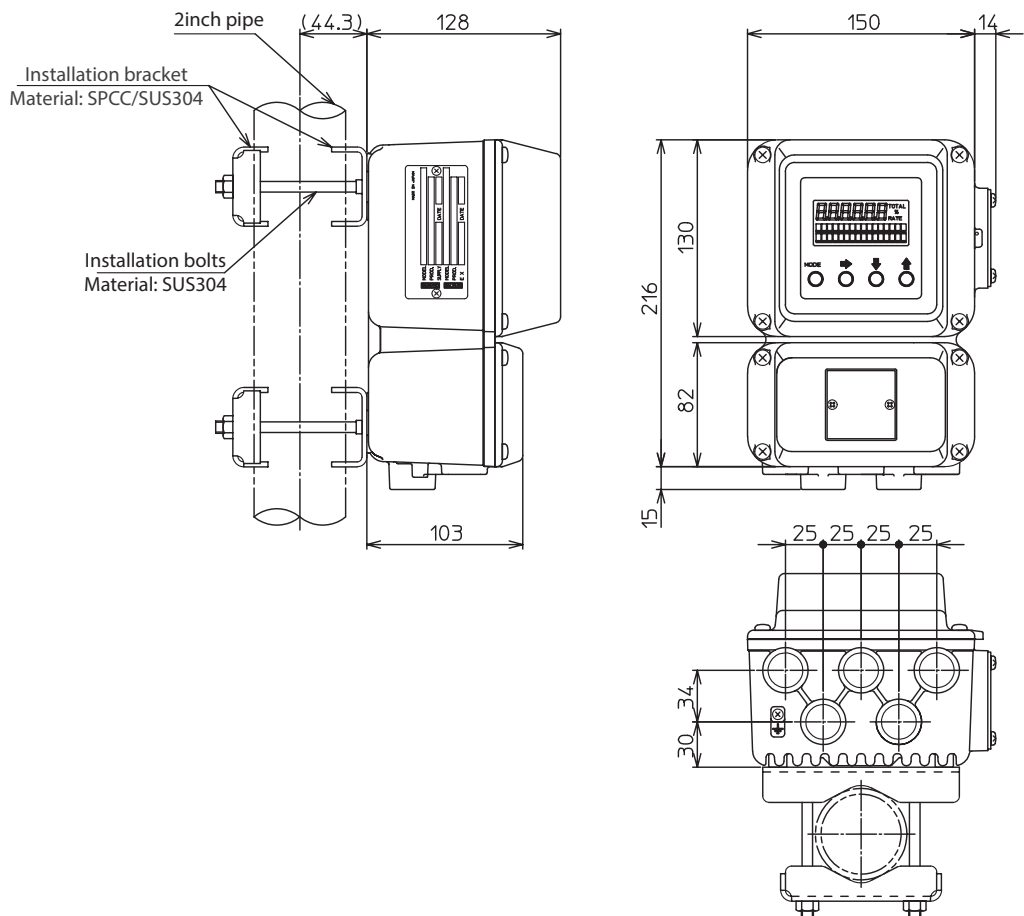
Dimension drawings

[Unit: mm]

Wall mounting

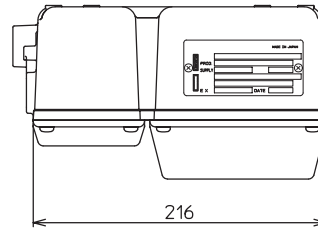
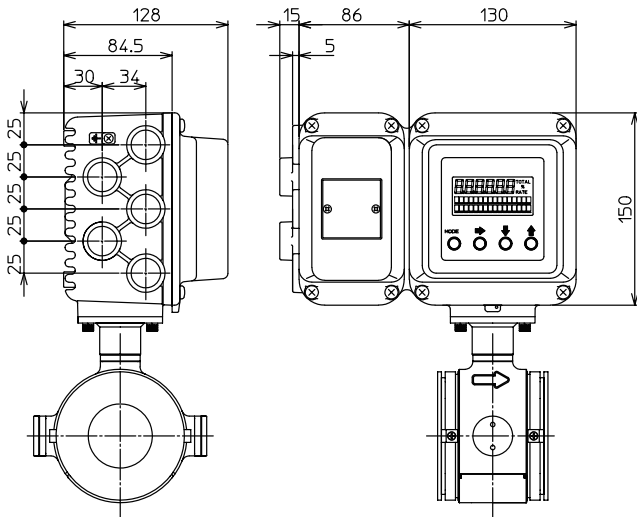


2 inch pipe mounting

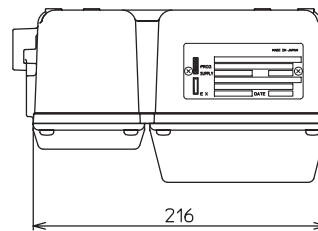
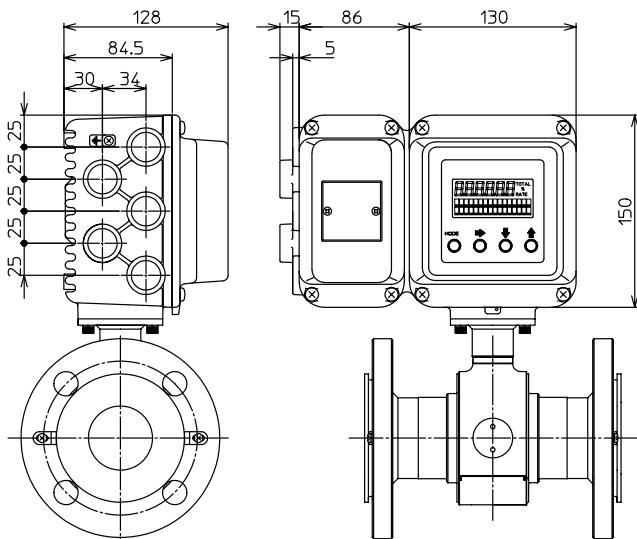


**Integral style
Wafer type**

[Unit: mm]



Flange type



MagneW is a trademark of Azbil Corporation in Japan and/or other countries.
HART® is a registered trademark of FieldComm Group.

Please read "Terms and Conditions" from the following URL
before ordering and use.
<https://www.azbil.com/products/factory/order.html>

Specifications are subject to change without notice.

azbil

Azbil Corporation
Advanced Automation Company

1-12-2 Kawana, Fujisawa
Kanagawa 251-8522 Japan
URL: <https://www.azbil.com/>

1st edition: July 2007
9th edition: Aug. 2019

No part of this publication may be reproduced or duplicated
without the prior written permission of Azbil Corporation.